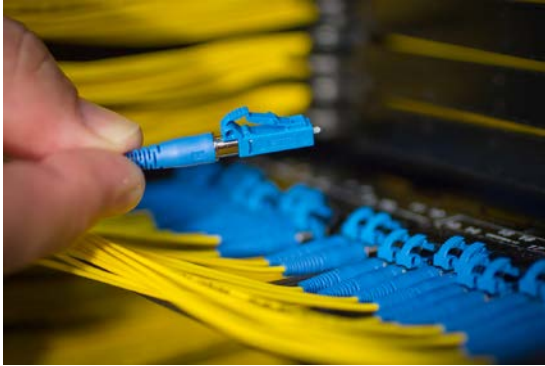


NG4access

Optical Distribution Frame (ODF) Platform

2016 PRODUCT CATALOG | 2ND EDITION



Meeting the Challenges of Tomorrow's High Fiber Count Networks

Today's data-intensive services are driving the need for ever-increasing network speeds and bandwidth capacity in the central office, head end and data center environment. This is creating the need for more connections between active equipment, and more fiber is being brought in to serve those connections. For service providers, these higher fiber counts and fiber densities can create challenges at the optical distribution frame, particularly where it comes to ease of access and identification of fibers and connectors.

Today's ODF solutions need to be engineered and configured for fast deployment, ease of connectivity and with the least amount of risk to the network as possible, as well as the ability to reconfigure, expand the network and implement new services. CommScope's NG4access optical distribution frame (ODF) platform was built from the ground up to provide superior access to high density fiber terminations. With innovations such as CommScope's access trays, universal adapter packs, cabled modules and MPO modules, installing and maintaining large amounts of fiber can be done faster, easier and less expensively than any previous ODF solution available on the market.

CommScope's NG4access ODF Platform delivers the crucial elements of fiber cable management: connector and cable accessibility, bend radius protection, cable routing paths and physical protection. If these elements are executed correctly, the network can deliver its full competitive advantages.

- **Connector and Cable Access:** Allowing easy access to connectors and installed fibers is critical in maintaining proper bend radius protection. The NG4access ODF ensures that any fiber can be installed or removed without inducing a macrobend on an adjacent fiber. The accessibility provided by features such as CommScope's craft friendly access trays can have a significant impact on network reconfiguration time. Accessibility is most critical during network reconfiguration operations and directly impacts operation costs and network reliability.
- **Bend Radius Protection:** Simply put, optimal signal flow ensures network performance and reliability. CommScope's NG4access ODF ensures that the proper bend radius is maintained to prevent attenuation and deliver the highest possible performance as well as long-term reliability.
 - Note: Reduced bend radius cable solutions, while offering a tighter bend radius, are not a substitute for well-engineered cable management.
- **Cable Routing Paths:** Improper technician routing of fibers is one of the major causes of bend radius violations. The NG4access ODF is extremely craft friendly, and provides routing paths that are clearly defined and easy to follow—leaving no room for guesswork and ensuring that technicians can easily trace and locate fibers.
- **Physical Protection:** All fibers should be protected throughout the network from accidental damage by technicians and equipment. Fibers routed between pieces of equipment without proper protection are susceptible to damage, which can critically impact network reliability. CommScope's robust fiber cable management technology ensures that every fiber is well protected and designed to withstand daily wear and tear.

Contents

| | |
|--|-----------|
| Meeting the Challenges | ii |
| Understanding the NG4access ODF Platform | 4 |
| Things to Consider When Ordering | 7 |
| Frame | 8 |
| Rear Fiber Storage Panel | 9 |
| Empty Frame with Integrated FOTSP | 10 |
| Equipment Frame | 11 |
| Universal Chassis | 12 |
| Adapter Packs | 13 |
| Cabled Modules with Preterminated IFC | 14 |
| Cabled Modules with 24-Fiber Microcable | 16 |
| Microcable Fanout Mounting Bracket Kits | 17 |
| MPO Modules | 18 |
| VAMs | 19 |
| Splice Chassis | 23 |
| Splice Tray | 23 |
| Pigtail Cabled Module with 24-Fiber Microcable | 23 |
| Accessories | 30 |
| Splice Protection Sleeves | 24 |
| Cable Clamp Kit | 24 |
| Raised Floor Cable Entry Clamp Kit | 24 |
| Ribbon Breakout Kits | 25 |
| AC Outlets | 29 |
| End Guard | 30 |
| Frame Installation Kits | 30 |
| Frame Transition Kits | 30 |
| Frame Extender | 30 |
| Isolation Pad | 31 |
| Replacement Access Tray | 31 |
| Rear Chassis Door Kits | 31 |
| Designation Cards | 31 |
| 1.2 mm Patch Cords | 32 |
| Attenuators | 33 |
| FiberGuide FlexExit | 349 |

NG4access ODF Platform

Optical Distribution Frame (ODF) Platform

Frame

CommScope's NG4access ODF frame is Telcordia® GR-449-CORE, Issue 3 compliant and designed to meet today's high-density network needs. The frame is designed with an emphasis on superior cable management and ease of use, including features such as ample trough space for cable and jumpers, front and rear access to cable and connectors and storage for jumpers. The frame sections are shipped from the factory fully equipped with all cable management hardware including integrated jumper slack storage. The frame will hold six universal chassis.

Chassis

CommScope's NG4access universal chassis supports configurations up to 576 terminations with LC adapter packs or 288 terminations with SC adapter packs. Each chassis includes 24 access trays that can hold adapter packs, cabled modules, MPO modules, or a combination of each. Craft-friendly design, the chassis features the same interface on the front and back side of unit.

Adapter Packs

Adapter packs are available in LC-12 and SC-6 pack configurations. Two adapter packs snap into a single access tray. Each chassis can be loaded with up to 48 adapter packs. Adapter ports are staggered for easy connector insertion/removal, and help to clearly identify individual adapter ports. A single adapter pack will promote universal applications, including singlemode and multimode, and angled and ultra polished connectors.

Cabled Modules

LC and SC cabled modules enable the routing of fiber cable to the frame, where multiple connectors are terminated to the frame with a single click. Cabled modules with integrated connectors ensure the cables are kept in sequential order, and help prevent accidental fiber breakage or disruption to adjacent fibers during installation. Cabled modules are available in a pigtail version for splicing on frame or preterminated to 24-fiber microcable or conventional IFC cable.

MPO Modules

The MPO module offers the same craft-friendly interface for LC and SC connectors as the cabled module, but include a rear low-loss MPO adapter to allow the installer to connect an MPO trunk cable to turn up services in rapid installation applications.

Value-Added Modules

NG4access VAMs help enhance optical transport systems by providing flexible, easy to incorporate optical components into the network for increasing fiber capacity, troubleshooting, or distributing signals to multiple subscribers.

1.2 mm Patch Cords

The NG4access ODF leverages CommScope's revolutionary 1.2 mm patch cords. These microcable patch cords require half the space of traditional 1.6 mm patch cords and a third of the space of traditional 2.0 mm patch cords, while maintaining equal performance and handling. 1.2 mm cable incorporates reduced bend radius fiber technology, which is less susceptible to attenuation caused by handling and macrobends.

Splice Chassis and Trays

The optional splice chassis installs on the NG4access frame and holds up to 48 splice trays. Each tray provides up to 72 fibers, for a total of 3,456 fibers per splice chassis. The splice chassis can be installed without sacrificing overall frame termination density.



Product Overview

A detailed list of product specifications are available in the application and planning guide TECP-90-701.

| | |
|---|--|
| Recommended applications: | Medium to large fiber count applications. GR-449-CORE, Issue 3 compliant |
| Description: | High density ODF uses 24-position access trays in configurations of up to 576 terminations in a single chassis |
| Number of Fibers, future growth potential: | Up to 3,456 per frame |
| Flexibility/ability to grow: | Yes |
| Footprint: | 30" W x 24" D |
| Interconnect: | Excellent |
| Cross-connect: | Excellent |
| Accommodates on-frame splicing: | Yes. Up to 3456 splices without sacrificing termination capacity |
| Rear access: | Yes |
| Front access: | Yes |
| Density – terminations per frame: | 3456 LC terminations per frame, 1728 SC terminations per frame |
| Slack storage location: | On-frame (integrated jumper slack storage). Optional rear storage panel |
| Connector access: | Access tray front and rear |
| Horizontal trough space available to accommodate a 20 bay line-up: | Yes, using 1.2 mm jumpers. 10 sq. inches trough x 6 troughs = 60 sq. inches total space. |

Jumper Capacities

Front side NG4access ODF jumper wireways are optimized when using 1.2 mm diameter patchcords. At full frame capacity, 1.2 mm patchcords can be used in both interconnect or cross-connect applications while maintaining compliance with the interoperability objectives of GR-449 CORE. Based on packing densities defined by GR-449 CORE, the adjacent chart outlines frame capacities when using different patchcord sizes. Only patchcords using reduced bend radius fiber (G.657.A2) should be used in NG4access ODF's. Rear side NG4access wireways will accept patchcords up to 2.0 mm while achieving maximum capacities for both interconnect and cross-connect applications.

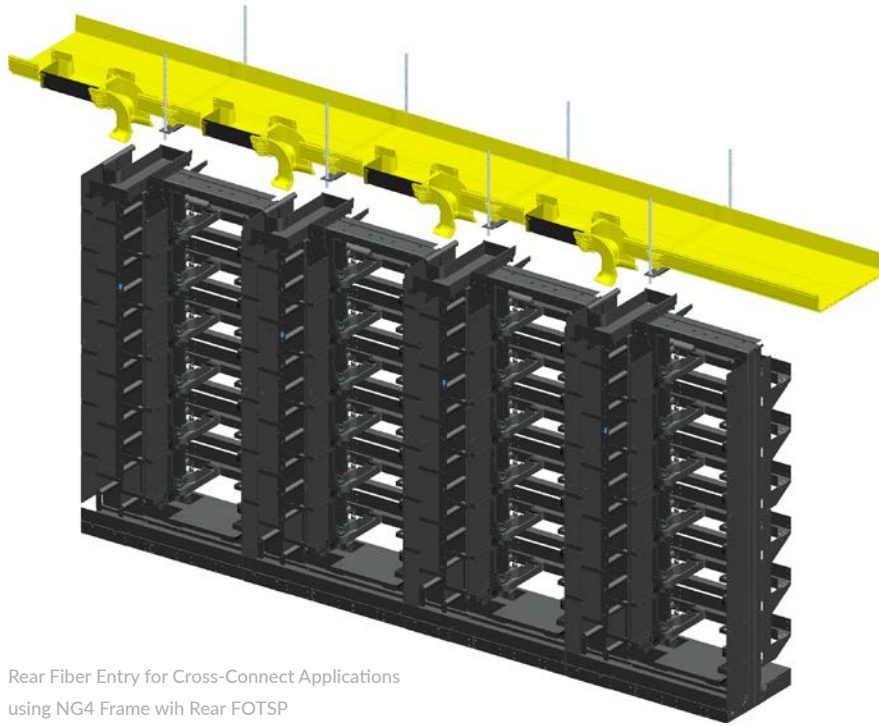
| | Jumper Diameter (mm) | Cross Connect | Interconnect | Interconnect with FOTSP |
|----------------------|----------------------|---------------|--------------|-------------------------|
| SC/1728 Terminations | 1.2 | 100% | 100% | 100% |
| | 1.6 | 100% | 100% | 100% |
| | 1.7 | 100% | 100% | 100% |
| | 2.0 | 100% | 78% | 100% |

| | | | | |
|----------------------|-----|------|------|------|
| LC/3456 Terminations | 1.2 | 100% | 100% | 100% |
| | 1.6 | 100% | 61% | 100% |
| | 1.7 | 100% | 54% | 100% |
| | 2.0 | 78% | 39% | 78% |

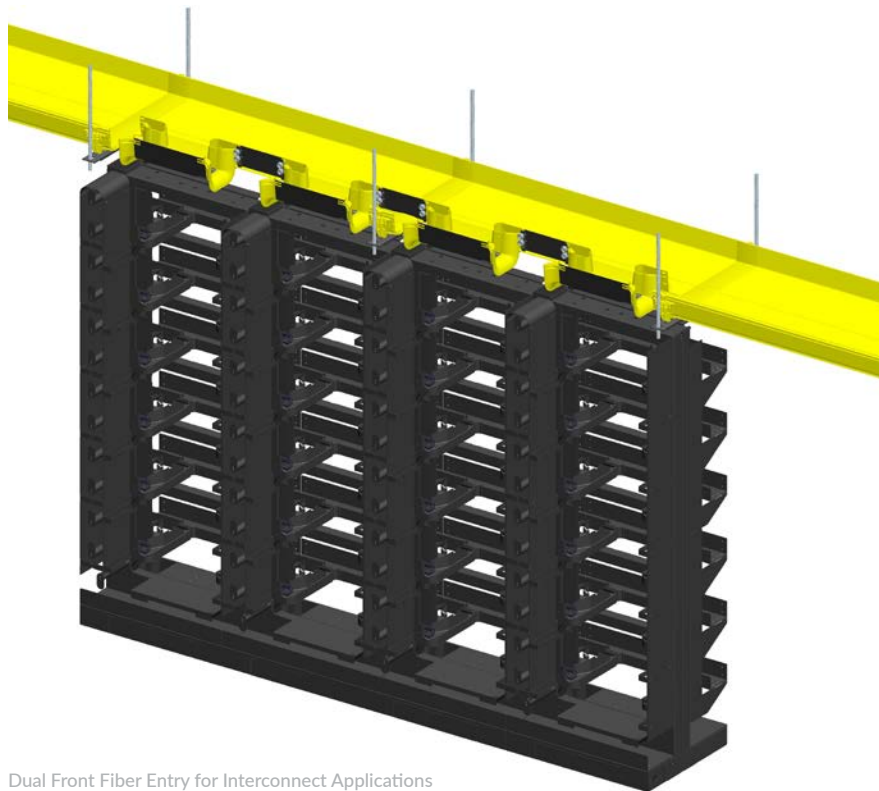
NG4access ODF Platform

Optical Distribution Frame (ODF) Platform

Overhead Fiberguide Layouts



Rear Fiber Entry for Cross-Connect Applications
using NG4 Frame with Rear FOTSP



Dual Front Fiber Entry for Interconnect Applications

FiberGuide and the Flex Exit were designed to ensure a proper fiber protection and a precise drop from the raceway system into CommScope's NG4access optical distribution frame (ODF) or other high-density frame solutions. See more information on page 37

How to Order

Main Components of the NG4access ODF Platform

| | Part Number | Quantity |
|---|-------------|----------|
| 1. Select number of frames | | |
| - NG4access frame - Page 13 | ----- | ----- |
| 2. Select number of chassis | | |
| - Universal chassis - Page 14 | ----- | ----- |
| 3. Define number of desired adapter packs - Page 15 | | |
| - SC adapter SC6 packs (2 packs per kit) | ----- | ----- |
| - LC adapters LC12 packs (2 packs per kit) | ----- | ----- |
| 4. Select number of desired module types - Page 16-24* | | |
| - LC or SC cabled modules with preterminated IFC - Page 17 | ----- | ----- |
| - LC or SC cabled modules with 24-fiber microcable - Page 18 | ----- | ----- |
| - LC or SC MPO modules - Page 20 | ----- | ----- |
| - Value-Added Modules - Page 21-24 | ----- | ----- |
| 5. Are you performing on frame splicing? | | |
| - If yes, see ordering info - page 25 | ----- | ----- |

Accessories

| | | |
|--|-------|-------|
| 6. Splice Protection Sleeves - Page 26 | ----- | ----- |
| 7. Cable Clamp Kit - Page 26 | ----- | ----- |
| 8. Raised Floor Cable Entry Clamp Kit - Page 26 | ----- | ----- |
| 9. Ribbon Breakout Kits - Page 27-31 | ----- | ----- |
| 10. AC Outlets - Page 31 | ----- | ----- |
| 11. End Guard. - Page 32 | ----- | ----- |
| 12. Frame Installation Kits - Page 32 | ----- | ----- |
| 13. Frame Transition Kits - Page 32 | ----- | ----- |
| 14. Frame Extender - Page 32 | ----- | ----- |
| 15. Isolation Pad - Page 33 | ----- | ----- |
| 16. Replacement Access Tray - Page 33 | ----- | ----- |
| 17. Rear Chassis Door Kits - Page 33 | ----- | ----- |
| 18. Designation Cards - Page 33 | ----- | ----- |
| 19. 1.2 mm Patch Cords - Page 34 | ----- | ----- |
| 20. Attenuators - Page 35 | ----- | ----- |
| 21. Touch-up Paint - Page 35 | ----- | ----- |

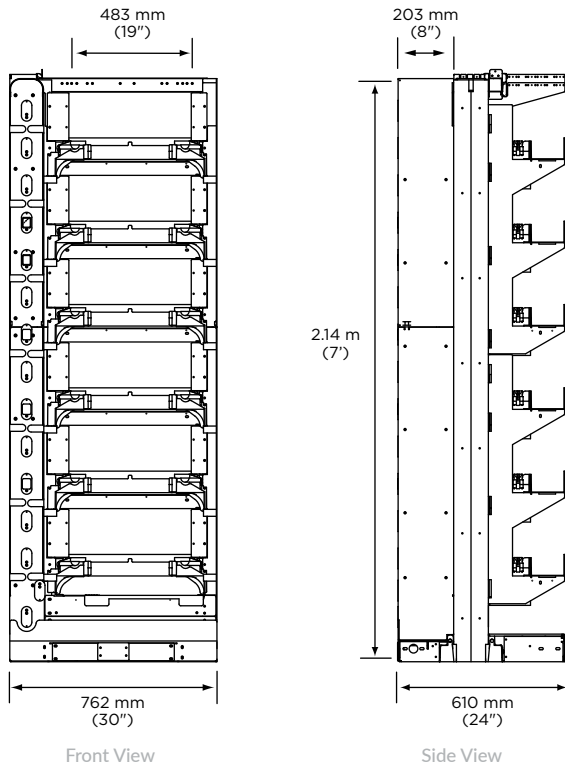
* When ordering MPO or cabled modules, adapter packs are not required.

NG4access ODF Platform

Optical Distribution Frame (ODF) Platform

Empty Frame

The NG4access frame is the cornerstone of the NG4access ODF product line. This seismic zone 4 rated frame utilizes an industry-standard base frame and has six horizontal rear troughs and lower trough. This abundant trough space minimizes fiber pileup and congestion, leading to easier jumper traceability and removal. The frame has mounting positions for (6) NG4access 7-inch high chassis, which will hold up to 576 LC or 288 SC connections. On the rear of the frame, a mounting location is available for a single splice chassis without sacrificing an available chassis position for standard chassis. The vertical cable guides and slack storage system are designed to accommodate 3,456 LC terminations using 1.2 mm patch cords while maintaining a 15 mm bend radius protection at all bending locations. For additional flexibility in cable routing, the frame also includes a built-in jumper storage area on the left side. The NG4access frame meets interoperability standards covered in GR-449-CORE, Issue 3 and accommodates standard 19-inch wide frame mount equipment.



Front View



Rear View

Ordering Information

| Description | Dimensions (H x W x D) | Max. Termination Capacity | Part Number |
|-----------------------|--|---|--------------|
| Empty NG4access frame | 2.14 m x 762 mm x 610 mm (7' x 30" x 24") | 3,456 LC or 1728 SC terminations or per frame | NG4-FR100000 |

See page 15 for more information on the chassis. See page 16 for more information on the adapter packs. See page 33 to order frame installation kits.

NG4access

Optical Distribution Frame (ODF) Platform

Rear FOTSP*

The rear fiber optic terminal storage panel is a filler that mounts next to the NG4access frame and provides storage capacity for up to 3.6 meters (12 feet) of excess jumper slack. The panel is mounted to the right side of the frame (looking from rear of the frame) it is serving and is accessed from the rear of the frame.

*Not required when ordering integrated NG4access frame, NG4-FR1000A1

Ordering Information

| Description | Dimensions (H x W x D) | Part Number |
|--|--|--------------|
| Rear FOTSP; for use with single and dual jumpers | 2.14 m x 305 mm x 610 mm (7' x 12" x 24") | NG4-ACCFOTSP |

NG4 Door Kit

The NG4 Door Kit provides all of the materials to install doors (left and right) that provide refined aesthetics and full coverage on the front and rear of the NG4 frame.

Includes:

- Front doors (2)
- Rear doors (2)
- Support brackets, door guides and mounting brackets
- All hardware and fasteners

Ordering Information

| Description | Part Number |
|--------------|------------------|
| NG4 Door Kit | NG4-ACCIFRMDRKT1 |

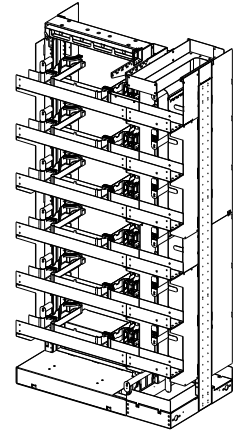


NG4access ODF Platform

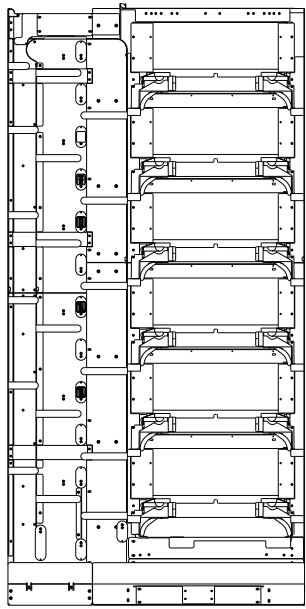
Optical Distribution Frame (ODF) Platform

Empty Frame with Integrated FOTSP

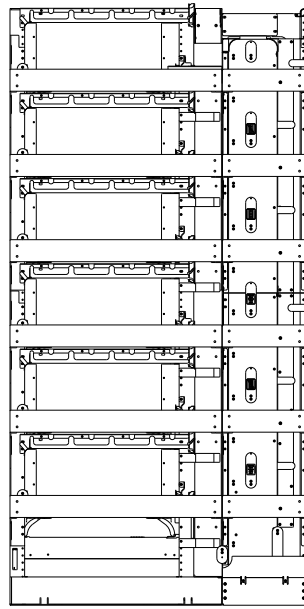
For applications where a rear FOTSP will be used next to an NG4access frame, consideration should be made to order the Empty NG4access Frame with Integrated FOTSP. In this configuration, the functions of the two items are captured under a single ordering number with the added benefit of enhancing the front side cable management. Specifically, the integrated frame with FOTSP allows for larger front side vertical wireways on the slack storage interbay management panel. The rear side jumper storage wireways and slack management system are identical in size regardless of ordering the empty frame with integrated FOTSP part number or ordering the empty frame and FOTSP as separate items. The overall width (42 inches wide x 24 in deep) is also the same if ordering the integrated version or if ordering the two items separately.



Rear View

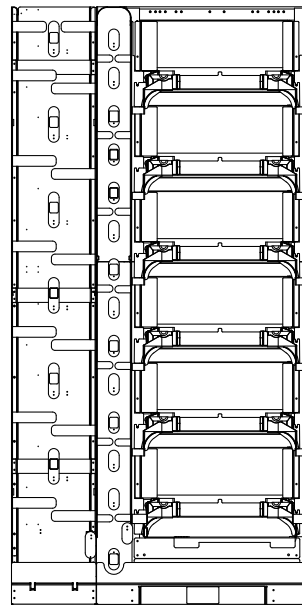


Front View

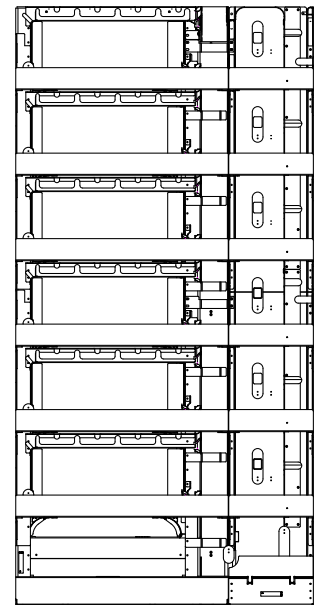


Rear View

Integrated FOTSP



Front View



Rear View

Separate FOTSP and Frame

Ordering Information

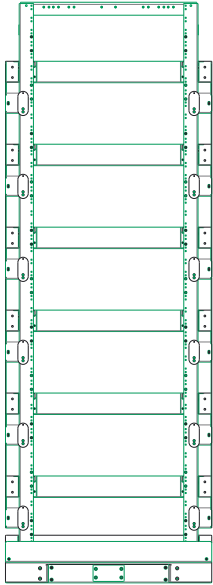
| Description | Dimensions (H x W x D) | Max. Termination Capacity | Part Number |
|---|---|---|--------------|
| Empty NG4access frame with integrated FOTSP | 2.14 m x 1067 mm x 610 mm (7' x 42" x 24") | 3,456 LC or 1,728 SC terminations per frame | NG4-FR1000A1 |

NG4access

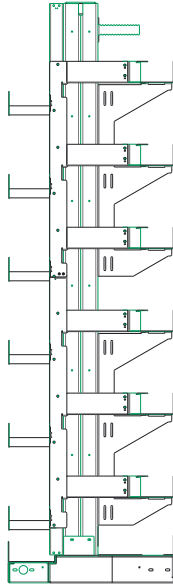
Optical Distribution Frame (ODF) Platform

Equipment Frame

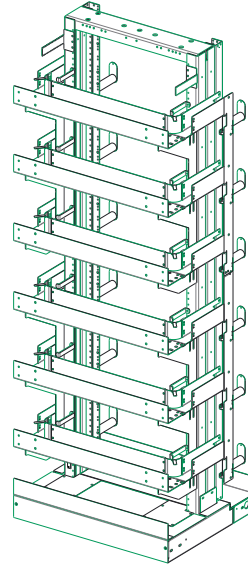
The NG4 Equipment Frame allows mounting of standard 23" active equipment in the same form factor as standard NG4 frames, providing seamless alignment through rear troughs and cable pathways.



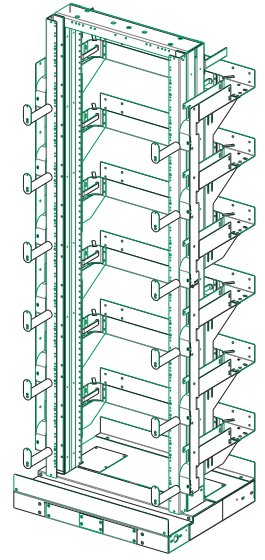
Front View



Side View



Front View



Rear View

Ordering Information

| Description | Dimensions (H x W x D) | Max. Termination Capacity | Part Number |
|---------------------------|---|--------------------------------------|--------------|
| NG4access Equipment Frame | 2.14m x 762mm x 610mm 7' x 30" x 24" | 76 1.00" WECO 23" Mounting Spaces | NG4-FR1EQ001 |

NG4access ODF Platform

Optical Distribution Frame (ODF) Platform

Universal Chassis

The 7" universal chassis will hold up to 576 LC or 288 SC terminations. Each chassis includes 24 access trays. A single access tray can hold (2) LC12 or SC6 adapter packs, or a cabled module, MPO module or VAM module, any of which can be mixed and matched in the same chassis. Designed for easy technician access, the chassis features the same user interface on the front and back side of unit. During service turn-up and maintenance, the access trays pull open and lock in place for easy access to connectors. Pivot points on the access trays prevent the fiber from moving when opening and closing trays, which helps prevent any unwanted disturbances to live services. A front door with designation cards ships with every chassis. The chassis will install in a 19" standard equipment rack and occupies (4) 1.75" rack spaces.

Ordering Information

| Description | Dimensions (W x D x H) | Part Number |
|---|---|--------------|
| Universal chassis with access trays; front door and designation cards | 483 x 457 x 175 mm (19.0" x 18.0" x 6.9") | NG4-CH100000 |



Front Chassis View



Front Chassis View
Door Open



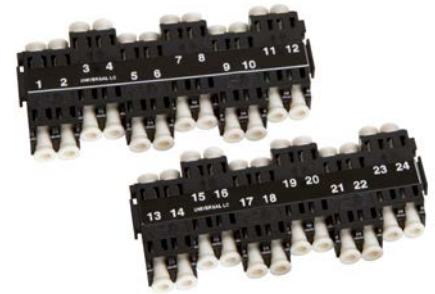
Rear Chassis View
Access Tray Open



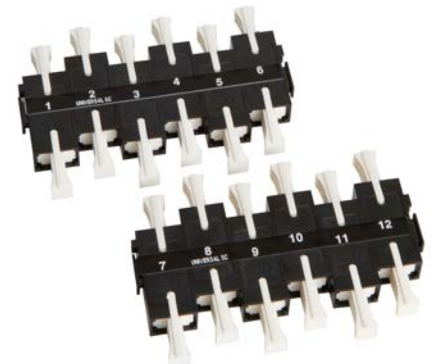
Access Trays with (2) LC 12 and (2) SC 6 Adapter Packs Installed

Universal Adapter Packs

Adapter packs are designed to accept a variety of connector types, including singlemode and multimode, angled and ultra polished connections. The flexibility of the adapter pack helps service providers reduce ordering SKU's and total inventory requirements. The staggered adapter pack design help installers access connectors without pinching or moving adjacent connections; they also eliminate the need for installers to use extraction tools, and help clearly identify individual fiber ports. Two LC12 or SC6 adapter packs can be installed per tray, and up to 48 total adapter packs per chassis. A specially designed latch window on the rear of the LC adapter pack (see photo below) and key slot window on the SC adapter pack allow easy identification of the connector type on the opposite side of the unit. As a result, technicians will always know the connector type installed in the adapter, no matter if they are working from the front or rear side of the ODF.



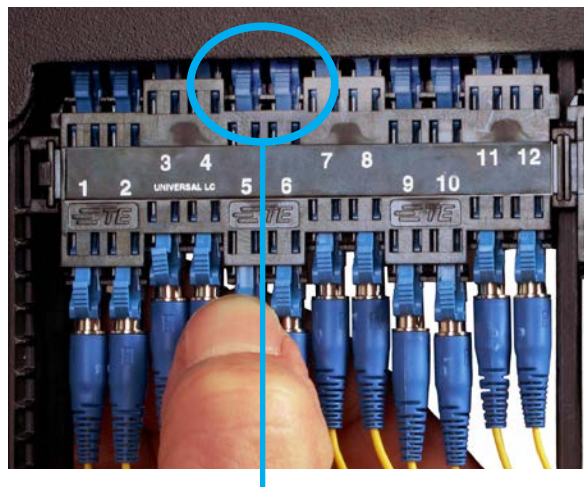
LC12 Universal Adapter Packs



SC6 Universal Adapter Packs

Ordering Information

| Description | Fibers | Dimensions (H x W x D) | Part Number |
|---|--------|--|----------------|
| Snap-in LC12 universal adapter pack. Kit of 2 packs with labels. | 24 | 84 mm x 33 mm x 10 mm (3.3" x 1.3" x .4") | NG4-APLC120000 |
| Snap-in SC6 universal adapter pack. Kit of 2 packs with labels. | 12 | | NG4-APSC060000 |



Latch window on LC adapter pack allows for easy connector identification



Adapter packs accept a variety of connector types

NG4access ODF Platform

Optical Distribution Frame (ODF) Platform

Preterminated Cabled Modules

NG4access cabled modules will save operators significant time and cost in their cable deployments. Using the LC cabled module, for example, an installer can route a 24-fiber cable to any access tray in a universal chassis, then rapidly terminate the module's 24-fiber connectors using a single click, rather than installing 24 individual connectors. Cabled modules are available in LC and SC, singlemode configurations. Each module is designed for craft friendliness. Individual adapter ports are labeled for easy identification. Two cable options are available with cabled modules, conventional IFC or 24-fiber microcable IFC cable.



LC Cabled Module with Preterminated IFC



LC Cabled Module with 24-Fiber Microcable

Cabled Modules with Preterminated IFC

With IFC cabled module solutions, multiple cabled modules are preterminated to IFC cable. For example, a 144 LC configuration would include six 24-fiber cabled modules secured to a 144 IFC cable. Rather than handling and installing 144 discrete connectors, the six cabled modules quickly snap into place on the access tray saving installation time and greatly reducing wiring errors and the potential for breaking adjacent fiber connectors. IFC cabled modules are available with stub ends or with connectors or cabled modules on the far end. All IFC cabled modules utilize reduced bend radius fiber and have the appropriate break out length to be installed in any access tray on any chassis in the frame. IFC cabled modules ordered with far end connectors can be used as tie cables to existing legacy ODF's. **The far end breakouts for these assemblies are designated by the last three digits in the ordering configurations. All IFC cabled modules ship with the cable clamp required on the NG4access frame and at the far end if required for double ended assemblies.**



LC Cabled Module with Preterminated IFC

Cabled Modules with Preterminated IFC (continued)

NG4 - CMD X X XX XXX XXX

Cabled Module Connector Type #1

| Singlemode | |
|------------|------------------|
| K | LC ultra polish |
| M | LC angled polish |
| 7 | SC ultra polish |
| L | SC angled polish |

Far End Connector Type #2*

| Singlemode | |
|------------|-----------------------|
| 0 | No connector/stub end |
| K | LC ultra polish |
| M | LC angled polish |
| 7 | SC ultra polish |
| L | SC angled polish |
| N | Cabled Module** |

Cable Type

| | | Diameter | |
|----|-----------------------------|----------|------|
| | | mm | in |
| GH | 72 ribbon IFC | 14 mm | .55" |
| KS | 96 ribbon IFC | 14.7 mm | .58" |
| HS | 144 ribbon IFC | 17.3 mm | .68" |
| GQ | 72 stranded IFC | 11.9 mm | .47" |
| KQ | 96 stranded IFC | 13.7 mm | .54" |
| HQ | 144 stranded IFC | 17.7 mm | .70" |
| GR | 72 Ribbon Indoor/Outdoor | 15.5 mm | .61" |
| KR | 96 Ribbon Indoor/Outdoor | 15.5 mm | .61" |
| HR | 144 Ribbon Indoor/Outdoor | 15.5 mm | .61" |
| GL | 72 Stranded Indoor/Outdoor | 11.9 mm | .47" |
| KL | 96 Stranded Indoor/Outdoor | 13.7 mm | .54" |
| HL | 144 Stranded Indoor/Outdoor | 17.7 mm | .70" |
| JR | 216 Ribbon Indoor/Outdoor | 18 mm | .71" |
| JS | 216 Ribbon Indoor/Outdoor | 15.5 mm | .61" |

Far End Breakout Style

If not a stub or cabled module, enter an option from below.

| | |
|-------|-------------------------------|
| Blank | Stub or cabled module |
| NG3 | NG3 72 and 144 position panel |
| NG | NGF 96 and 144-position FTB |
| NO | NGF 48 and 72-position FTB |
| A | 7" FCM |
| B | 8" FCM |
| LA | LSX 72 and 96-position panel |
| LB | LSX 144-position panel |

Standard Cable Length***

| | |
|-----|-------------|
| 016 | 16 m (50') |
| 023 | 23 m (75') |
| 031 | 31 m (100') |
| 046 | 46 m (150') |
| 061 | 61 m (200') |
| 092 | 92 m (300') |

* Far end connector option only available with stranded cable

** Far end cabled module connector type is always same as type #1 connector type

***Use XXX for non-standard lengths in meters

NG4access ODF Platform

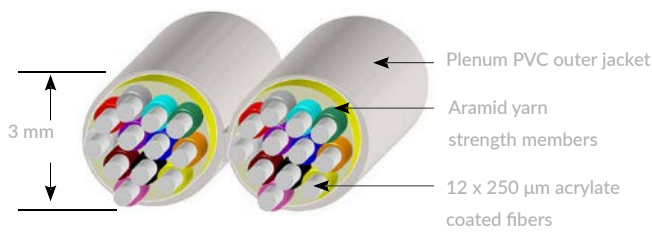
Optical Distribution Frame (ODF) Platform

Cabled Modules with 24-Fiber Microcable

For LC configurations, a single cabled module is connected to a 24-fiber microcable. For SC configurations, two cabled modules are connected to a 24-fiber microcable. The 24-fiber microcable is a plenum rated dual zip-cable containing reduced bend radius 250 micron fiber in a loose tube design. The 24-fiber microcable has the same compression, tensile strength and crush rating as conventional IFC cable and is fully compliant with GR-409. It can be secured to overhead cable racking or is flexible to be placed in FiberGuide or any fiber cable management system. Cabled modules are available with a stub end or with connectors on the far end. The breakout length for 24 fiber microcable IFC with far end connectors is 45 inches. This breakout length will accommodate all legacy CommScope ODF solutions however, a fanout mounting bracket kit must be ordered separately to match the far end clamping requirements.



Two SC Cabled Modules with 24-Fiber Microcable
2 Modules Stacked for Photo



Ordering Information

NG4-CMD X X M 2 XX XXX

Cabled Module Connector Type #1

| Singlemode | |
|------------|------------------|
| K | LC ultra polish |
| M | LC angled polish |
| 7 | SC ultra polish |
| L | SC angled polish |

Far End Connector Type #2

| Singlemode | |
|------------|-----------------------|
| 0 | No connector/stub end |
| K | LC ultra polish |
| M | LC angled polish |
| 7 | SC ultra polish |
| L | SC angled polish |
| N | Cabled Module** |
| E | MPO Connector |

Standard Cable Length***

| | |
|-----|-------------|
| 016 | 16 m (50') |
| 023 | 23 m (75') |
| 031 | 31 m (100') |
| 046 | 46 m (150') |
| 061 | 61 m (200') |

Cable Type

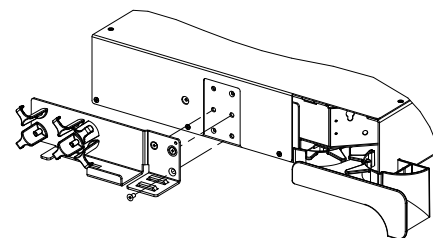
| | |
|----|---------------------|
| M2 | 24-fiber microcable |
|----|---------------------|

** Far end cabled module connector type is always same as type #1 connector type

*** Use XXX for non-standard lengths in meters

Microcable Fanout Mounting Bracket Kits for 45" 900 Micron Breakouts

Additional hardware is required if loading cabled modules with 24- fiber microcables with far end connectors into an adapter-only legacy ODF panel. Microcable fanout mounting brackets convert adapter-only panels to accept preterminated microcables with 900 micron breakouts. The bracket kits contain the cable management hardware, brackets and cable clamps to convert the panel to accept microcables and properly secure fanouts.



NG3 Panel Bracket Kit

Ordering Information

| Description | Dimensions (W x D x H) | Part Number |
|------------------------|------------------------|-----------------|
| Microcable Fanout Kits | 7" FCM panels | RCP-CLPKITSBFCM |
| | 8" FCM panels | RCP-CLPKITFCM |
| | LSX panels (all sizes) | RCP-CLPKITLSX |
| | NGF Left 144 FTB | NGF-ACCRCMSLU |
| | NGF Right 144 FTB | NGF-ACCRCMSRU |
| | NG3 panel | RCP-CLPKITNG3 |

NG4access ODF Platform

Optical Distribution Frame (ODF) Platform

MPO Modules

The MPO module offers a craft-friendly interface for 24 LC or 12 SC connectors to MPO adapters—enabling a rapid connection to electronics or a fiber tie panel such as CommScope’s Rapid fiber panel solution. Leveraging an MPO architecture, technicians can route and install higher fiber counts faster and easier, while simplifying cable inventory and ordering requirements. The MPO module occupies one access tray position and easily snaps into place.



Left Exit LC MPO Module with 2 rear MPO Adapters



Right Exit SC MPO Module with 1 Rear MPO Adapter

Ordering Information

NG4-MMD X X XX 000

Cabled Module Connector Type #1

| Singlemode | |
|------------|------------------|
| K | LC ultra polish |
| M | LC angled polish |
| 7 | SC ultra polish |
| L | SC angled polish |
| Multimode | |
| C | LC |
| T | SC |

Exit Direction

| | |
|----|-----------------------------|
| OL | Left exit (for MPO module) |
| OR | Right exit (for MPO module) |

Cabled Module Connector Type #1

| Singlemode | |
|------------|--------------------|
| E | MPO 12 fiber |
| Multimode | |
| M | MPO Elite 12 fiber |



Universal Chassis Rear View

NG4access

Optical Distribution Frame (ODF) Platform

Value-Added Modules

The NG4access Value-Added Modules (VAMs) product family features an array of monitor, CWDM and DWDM devices for use in CommScope's NG4access optical distribution frame (ODF). NG4access VAMs help enhance optical transport systems by providing flexible, easy to incorporate optical components into the network for increasing fiber capacity, troubleshooting, or distributing signals to multiple subscribers.

Technician-friendly, the NG4access VAMs features staggered adapter ports for easy connector access and identification without pinching or moving adjacent connections – minimizing unwanted disturbances to live services. Craft-friendly module design promotes easy integration into CommScope's NG4access ODF: one NG4access VAM can be loaded per tray, with up to 24 total VAMs per chassis. The VAMs are available in 24 LC connector interfaces with angled and ultra polished configurations.

Module Types

- Monitor VAMs
- CWDM VAMs
- DWDM VAMs

Applications

- Non-intrusive circuit monitoring
- Service turn-up verification and troubleshooting
- CWDM/DWDM upgrades for metro networks
- CWDM/DWDM upgrades for wireless backhaul



NG4access VAM



NG4access ODF Platform
(Sold Separately)

NG4access ODF Platform

Optical Distribution Frame (ODF) Platform

Monitor VAMs

Monitor VAMs are used for non-intrusive monitoring and testing of fiber optic network signals. VAM modules provide a wide range of tap ratios to accommodate specific application requirements.

The ability to easily monitor both directions at a single point greatly reduces the time necessary to analyze traffic patterns, locate failures, and monitor signal degradation. NG4access monitor VAMs occupy one access tray in the universal chassis and easily snap into place. The NG4access universal chassis holds up to 12 left and 12 right orientation VAMs.



Ordering Information

NG4-V M X X X X X

Connector Type

| | |
|---|--------|
| K | LC UPC |
| M | LC APC |

Module Orientation

(As viewed from rear of chassis)

| | |
|---|-------|
| L | Left |
| R | Right |

Port Configuration

| | |
|---|-----------|
| F | All Front |
|---|-----------|

Tap Ratio (Thru/Monitor Tap %)

| | |
|---|----------------------------|
| B | 95/5 |
| A | 90/10 |
| E | 80/20 |
| H | 70/30 |
| J | 60/40 |
| C | 50/50 |
| M | 60/20/20 (3 circuits only) |

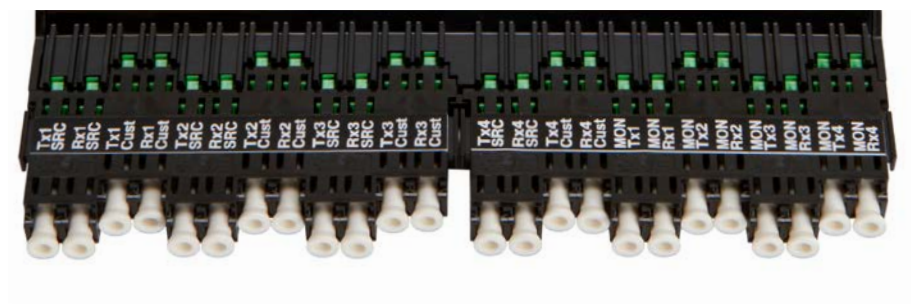
Number of Circuits

| | |
|---|-------|
| 3 | Three |
| 4 | Four |

Example Shown:

NG4-VMMRF4A

(NG4access VAM Monitor, LC UPC, Right Orientation, All front ports, four circuits, 90/10 tap ratio)



NG4access

Optical Distribution Frame (ODF) Platform

CWDM VAMs

Coarse Wavelength Division Multiplexing (CWDM) VAMs are used to combine (or separate) two or more signals with different wavelengths. CWDM VAM modules provide a wide range of wavelength combinations (e.g. 4 or 8 channels) to accommodate a range of network designs and requirements. Tap ports are available for signal turn-up and test access. NG4access CWDM VAMs occupy one access tray in the universal chassis and easily snap into place. The NG4access universal chassis holds up to 12 left and 12 right orientation VAMs.



Ordering Information

NG4-V C X X X X XX 0 X X X

Connector Type

| | |
|---|--------|
| K | LC UPC |
| M | LC APC |

Module Orientation

(As viewed from rear of chassis)

| | |
|---|-------|
| L | Left |
| R | Right |

Number of Circuits

| | |
|---|-----|
| 1 | One |
| 2 | Two |

Number of Channels

| | |
|---|---------------------------------|
| 4 | 4 CH |
| 8 | 8 CH |
| A | 4 CH + upgrade port |
| B | 8 CH + upgrade port |
| C | 4 CH + upgrade port + 1310 port |
| D | 8 CH + upgrade port + 1310 port |
| E | 4 CH + 1310 port |
| F | 8 CH + 1310 port |

Test Port Tap %

| | |
|---|------|
| 0 | None |
| K | 1% |

Test Port

| | |
|---|------|
| 0 | None |
| 1 | One |
| 2 | Two |

Upgrade Port Config

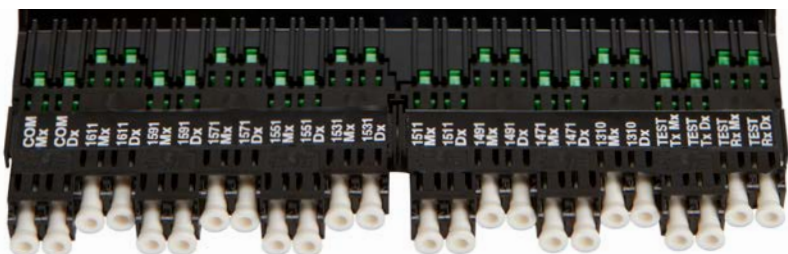
| | |
|---|----------------|
| 0 | None |
| A | Pass 1471-1531 |
| B | Pass 1551-1611 |

Skip Channels Config

| | |
|---|------|
| 0 | None |
|---|------|

Starting Channel Wavelength (Lowest)

| | | | |
|----|---------|----|---------|
| 61 | 1611 nm | 51 | 1511 nm |
| 59 | 1591 nm | 49 | 1491 nm |
| 57 | 1571 nm | 47 | 1471 nm |
| 55 | 1551 nm | 45 | 1451 nm |
| 53 | 1531 nm | 43 | 1431 nm |



Example Shown:

NG4-VCMR2F47002K (NG4access VAM CWDM, LC APC, Right Orientation, two circuits, 8-ch + 1310, 1471-1611, 2 test ports, 1% tap)

NG4access ODF Platform

Optical Distribution Frame (ODF) Platform

DWDM VAMs

Dense Wavelength Division Multiplexing (DWDM) VAMs are used to combine (or separate) two or more signals with different wavelengths. DWDM VAM modules provide a wide range of wavelength combinations (e.g. 4 or 8 channels) to accommodate a range of network designs and requirements. Standard ITU DWDM wavelength filters are available. NG4access DWDM VAMs occupy one access tray in the universal chassis and easily snap into place. The NG4access universal chassis holds up to 12 left and 12 right orientation VAMs.



Ordering Information

NG4-V D X X X X X X XX 0 X X X

Connector Type

| | |
|---|--------|
| K | LC UPC |
| M | LC APC |

Module Orientation

(As viewed from rear of chassis)

| | |
|---|-------|
| L | Left |
| R | Right |

Number of Circuits

| | |
|---|-----|
| 1 | One |
| 2 | Two |

Mux or Demux

| | |
|---|-------|
| M | Mux |
| D | Demux |

Number of Channels

| | |
|---|--------------------------------|
| 4 | 4 CH |
| 8 | 8 CH |
| A | 4 CH + upgrade port |
| B | 8 CH + upgrade port |
| C | 4 CH + upgrade port + EXP port |
| D | 8 CH + upgrade port + EXP port |

Channel Spacing

| | |
|---|-------------------------------|
| A | 100 GHz (e.g. 33, 34, 35,...) |
| B | 200 GHz (e.g. 33, 35, 37,...) |

Test Port Tap %

| | |
|---|------|
| 0 | None |
| K | 1% |

Test Port

| | |
|---|-----|
| 1 | One |
| 2 | Two |

Upgrade Port Config

| | |
|---|--------------|
| 0 | None |
| A | Pass DWDM λs |

Skip Channels Config

| | |
|---|------|
| 0 | None |
|---|------|

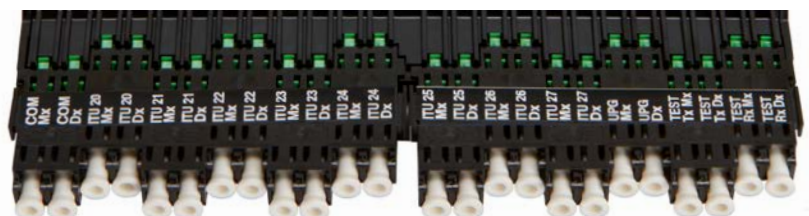
Starting Channel Number

(Lowest)

| | |
|----|------------|
| 20 | 1561.42 nm |
| 21 | 1560.61 nm |
| • | • |
| • | • |
| • | • |
| • | • |
| 58 | 1531.12 nm |
| 59 | 1530.33 nm |

Example Shown:

NG4-VDMR2MBA200A2K (NG4access VAM DWDM, LC APC, Right Orientation, two circuits, 8-ch + Upgrade, 100GHz/Channel Spacing, CH20-CH27, Upgrade Port, 2 test ports, 1% tap)



NG4access

Optical Distribution Frame (ODF) Platform

Splice Chassis

The splice chassis installs on the back side of the NG4access frame below the bottom horizontal trough and holds up to 48 splice trays. Each tray holds up to 72 fibers, for a total of 3,456 fibers per splice chassis. Pigtail 24-fiber microcable cabled modules connect any universal chassis to the splice chassis.

Ordering Information

| Description | Dimensions | Part Number |
|-----------------------|--|--------------|
| Splice Chassis; empty | 686 mm x 314 mm x 406 mm (27" x 12.36" x 15.99") | NG4-CH200000 |



Individual splice trays not included.



Splice Chassis Installed at Bottom of Frame (rear cover removed)

Splice Tray

Splice tray holds up to six mass fusion protection sleeves for 72-fiber capacity or up to 24 single fusion protection sleeves. Each tray provides for storage of 6 feet of jacketed cable and an additional 3 feet of unjacketed fiber inside the tray.

Ordering Information

| Description | Dimensions | Splice Chip | Part Number |
|-------------|---|---------------|--------------|
| Splice tray | 148 mm x 191 mm x 19 mm (5.83" x 7.53" x .745") | single fusion | NG4-ACCWHSFS |
| | | mass fusion | NG4-ACCWHMFS |



Pigtail not included

Pigtail Cabled Module with 24-Fiber Microcable

Pigtail cabled modules can be installed in any of the 6 universal chassis loaded in a frame and can be routed to the splice chassis to reach the splice tray with appropriate storage.

Ordering Information

| Description | Part Number | |
|---------------------------------|-----------------------------|----------------|
| 24-fiber pigtail* cabled module | LC ultra polish connectors | NG4-CMDK0M2008 |
| | LC angled polish connectors | NG4-CMDM0M2008 |
| | SC ultra polish connectors | NG4-CMD70M2008 |
| | SC angled polish connectors | NG4-CMDL0M2008 |

* Stranded microcable construction. When splicing to ribbon IFC/OSP cable, microcable fiber will need to be ribbonized



LC Pigtail Cabled Module

NG4access ODF Platform

Optical Distribution Frame (ODF) Platform

Splice Protections Sleeves

The splice protector sleeve is constructed to protect a splice post fusion. It is made from heat shrinkable material and contains a built-in strength member for physical protection of the fusion splice. The splice protector sleeve is placed on the fiber before making a splice, moved over the splice when the splice fusion is complete and shrunk into place. They are available in either single fiber or mass fusion sleeves.



Splice Protector Sleeve

Ordering Information

| Description | Dimensions | Part Number |
|-----------------------------|---|-------------|
| Splice protector sleeve for | Single fiber – single fusion; 40 mm (1.6") length, 1 each | FST-ACC005 |
| | 12-fiber – mass fusion – heat shrink; 40 mm (1.6") length, 1 each | FST-ACC006 |

Cable Clamp Kits

Ordering Information

| Description | Part Number |
|--|----------------|
| Cable Clamp Kit; Includes clamps and grommets for securing 6 OSP or IFC cables with diameters up to 0.8 inches at the top of the frame* | NG4-ACCCLMPXP1 |
| Large Cable Clamp Kit; Includes clamps and grommets for securing 4 OSP or IFC cables with diameters from 0.8 inches to 1.2 inches at the top of the frame* | NG4-ACCCLMPXP2 |

* CommScope preterminated IFC cabled modules include a cable clamp

Raised Floor Cable Entry Clamp Kit

Ordering Information

| Description | Part Number |
|--|------------------|
| Raised Floor Cable Entry Clamp Kit; Includes mounting brackets, a management spool and clamps and grommets for 24 cables (diameter up to 0.8 inches) | NG4-ACCRFCLMP1 |
| Raised Floor Large Cable Clamp Kit; Includes one cable clamp and grommet for cables with diameters from 0.8 inches to 1.2 inches. This clamp kit mounts to the raised floor cable entry clamp mounting bracket | NG4-ACCRFCLMP3 |
| Raised Floor IFC Slack Management Kit; Spool kit for managing IFC sub-unit slack. Kit includes one spool. | NG4-ACCSPoolKIT1 |

Ribbon Breakout kits contain combinations of bases and protective tubes that are used to protect the fiber ribbon matrix as it transitions from clamped OSP and IFC cables to a splice tray used in the NG4access splice chassis.

Breakout Kit for Ribbon in Loose Buffer Tube (RLBT) OSP Cable

Ribbon in loose buffer tube OSP cables are constructed as shown in Figure 1. All RLBT cables feature six subunits surrounding a central strength member. Depending on the fiber count of the cable, some of the subunits may be used as filler subunits (a solid plastic unit without any fiber). Each subunit containing fiber is comprised of six or twelve ribbons featuring 12 fibers per ribbon.

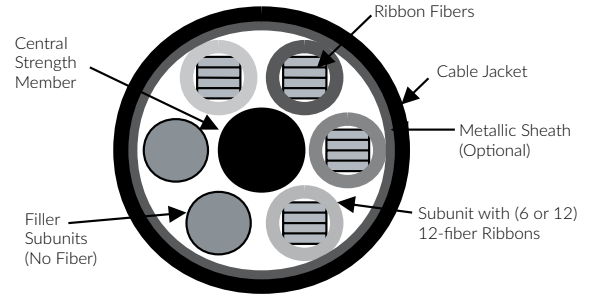


Figure 1
Ribbon buffer tube (RLBT) OSP cable

Breakout kits for RLBT cables contain multiple breakout bases, each with 5-meter lengths of protective tubing (see Figure 2). The protective tubing accommodates up to six ribbons. One breakout kit fits into each individual subunit. For mass fusion ribbon splicing applications, CommScope recommends splicing up to 72 fibers (six ribbons) in a splice tray. The tray should be equipped with an "MT" splice chip (see page 93 for information on mechanical or mass fusion ribbon trays). For single fusion splicing applications, CommScope recommends 24 fibers per tray using either two single trays or one dual tray. This kit is used to protect fiber ribbons between the cable clamp and the splice tray.

Breakout kits are designed for use in controlled environments only.

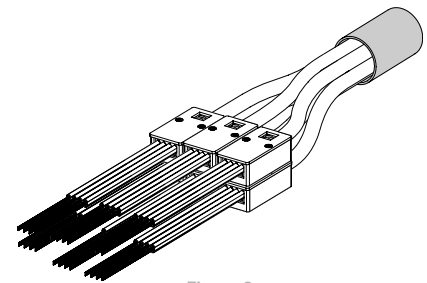


Figure 2
Breakout kit for RLBT OSP Cable

Ordering Information

BLK - RLBT - A XX XX

Number of Protective Tubes Per Subunit¹

| | |
|----|-------|
| 01 | One |
| 02 | Two |
| 03 | Three |
| 04 | Four |
| 05 | Five |
| 06 | Six |

Number of Subunits Containing Fiber

| | |
|----|-------|
| 01 | One |
| 02 | Two |
| 03 | Three |
| 04 | Four |
| 05 | Five |
| 06 | Six |

1-6 ribbons may be placed in each protective tube
Protective tubing length = 5 meters

¹ The number of protective tubes per subunit is calculated as follows:

Divide the number of fibers per subunit (typically 72 or 144) by the number of fibers (12, 24, 36, 48, 72) to be spliced in each splice tray.
Example: If each subunit has 144 fibers with 36 fibers per tray, then each subunit would require four protective tubes.

Breakout Kit for Ribbon Central Tube (RCT) OSP Cable

Ribbon central tube OSP cables are constructed as shown in Figure 1. The ribbons in RCT cables feature 12 or 24 fibers per ribbon. Cables with 288 or more fibers are typically built with ribbons featuring 24 fibers per ribbon. Each cable consists of a single central tube that encloses the ribbons.

Breakout kits for RCT cables contain a single breakout base attached to the central tube. Protective tubing is attached to the breakout base in 5-meter lengths (see Figure 2). Smaller protective tubing can accommodate up to six ribbons featuring 12 fibers per ribbon. Larger tubing is used for ribbons with 24 fibers per ribbon.

For mass fusion ribbon splicing, CommScope recommends splicing 72 fibers per tray. For ribbon featuring 12 fibers per ribbon, six ribbons would be spliced in each tray. For ribbon featuring 24 fibers per ribbon, three ribbons would be spliced in each tray.

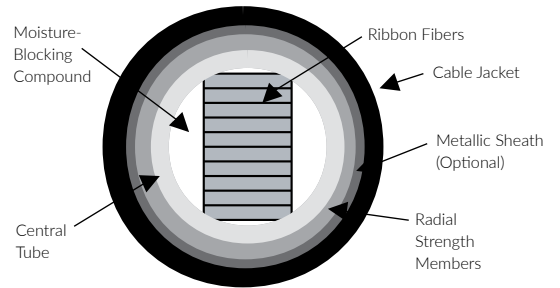


Figure 1
Ribbon central tube (RCT) OSP cable construction

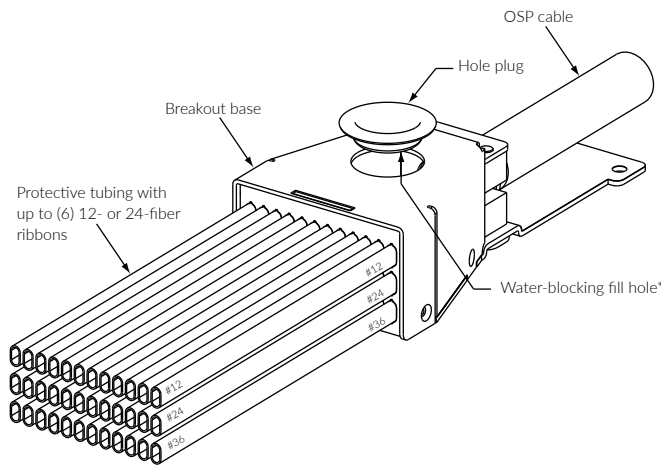


Figure 2
Breakout kit for RCT cable

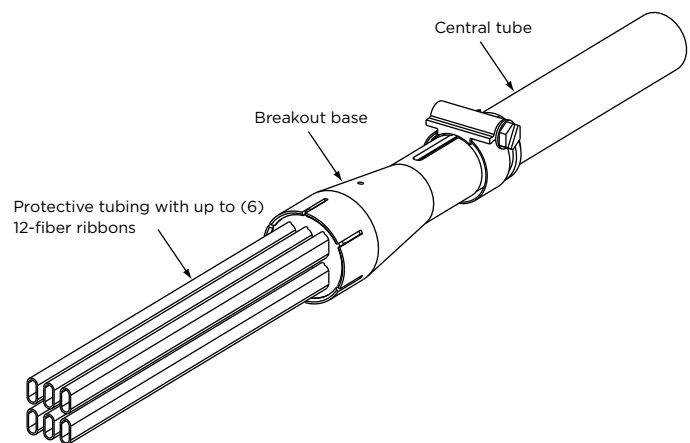


Figure 3
Breakout kit for RCT cable

RCT Breakout Kit Typical Configurations

432- and 864-fiber ribbon in central tube (RCT) OSP cables featuring 24 fibers per ribbon are common. The table below shows the number of protective tubes per breakout base required for 432- and 864-fiber cables based on the number of fibers per tray. This kit is used to protect fiber ribbons between the cable clamp and splice tray.

| Number of Fibers per Tray | Number of Ribbons per Protective Tube | 432-Fiber Central Tube OSP Cable, 24-Fiber Ribbon | 864-Fiber Central Tube OSP Cable, 24-Fiber Ribbon |
|---------------------------|---------------------------------------|---|---|
| 24 | 1 | 18 | 36 |
| 48 | 2 | 9 | 18 |
| 72 | 3 | 6 | 12 |

Breakout kits with 36 protective tubes use a large breakout base, kits with 9–18 protective tubes use a medium breakout base and kits with 6 protective tubes use a small breakout base.

Ordering Information

X XX X

Ribbon Type

| | |
|---|---------------|
| A | < /= 12-fiber |
| B | 24-fiber |

Number of Protective Tubes per Breakout Base¹

| | |
|----|---|
| 01 | Refer to Figure 3 (Pg 28) for kit style |
| 02 | |
| 03 | |
| 04 | |
| 05 | Refer to Figure 2 (Pg 28) for kit style |
| 06 | |
| 09 | |
| 12 | |
| 16 | |
| 18 | |
| 24 | |
| 36 | |

General Tube Outside Diameter

| | General Tube Outside Diameter | Fiber Count | Number of Fibers per Ribbon |
|---|-------------------------------|---------------|-----------------------------|
| B | 5 mm – 8 mm (0.2" – 0.33") | 12-96 | 12 |
| C | 8 mm – 11 mm (0.33" – 0.43") | 108-216 | 12 |
| D | 11 mm – 15 mm (0.43" – 0.6") | 240-432 | 24 |
| E | 15 mm – 20 mm (0.6" – 0.8") | 576, 720, 864 | 24, 36 |

¹ 1-6 ribbons may be placed in each protective tube with either 12 or 24 fibers per ribbon

Protective tubing length = 5 meters

¹ Divide the number of fibers per central tube (typically between 144 and 864) by the number of fibers (12, 24, 36, 48, 72) to be spliced in each splice tray.

Example: If the central tube has 864 fibers with 36 fibers per splice tray, then the breakout base would require 24 protective tubes.

For installation instructions, refer to user manual ADCP-93-305.

NG4access ODF Platform

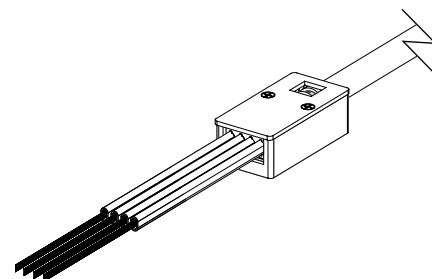
Optical Distribution Frame (ODF) Platform

Breakout Kit for Intrafacility (IFC) Ribbon Cables

CommScope's ribbon IFC cables have a central tube construction. The ribbons in IFC cables feature 12 fibers per ribbon. A central tube encloses the ribbons and features fiber counts ranging from 24 fibers to 216 fibers. Central tubes with 72, 96, 144 and 216 fibers are most common.

Breakout kits for these cables can be configured from the information listed on page 31. The breakout kits for IFC cables contain a single breakout base attached to the central tube. Protective tubing is attached to the breakout base in 5-meter lengths and can accommodate up to six ribbons featuring 12 fibers per ribbon.

For mass fusion ribbon splicing, CommScope recommends splicing 72 fibers per tray. For ribbon featuring 12 fibers per ribbon, six ribbons would be spliced in each tray. For ribbon featuring 24 fibers per ribbon, three ribbons would be spliced in each tray.



Breakout Kit for IFC Ribbon Cables

Ordering Information

| IFC Cable Fiber Count | Number of Fibers per Tray | Part Number |
|-----------------------|---------------------------|----------------|
| 72 | 36 | BLK-RIFC-A02B0 |
| 72 | 72 | BLK-RIFC-A01B0 |
| 96 | 48 | BLK-RIFC-A02B0 |
| 144 | 36 | BLK-RIFC-A04C0 |
| 144 | 72 | BLK-RIFC-A02C0 |
| 216 | 36 | BLK-RIFC-A06C0 |
| 216 | 72 | BLK-RIFC-A03C0 |
| 432 | 72 | BLK-RIFC-A06E0 |

IFC Breakout Kit Typical Configurations

When splicing IFC ribbon cables, CommScope recommends 72 fibers per tray.

Ordering Information

BLK - RIFC - A XX X

Number of Protective Tubes Per Breakout Base^{1,2}

| | |
|----|-------|
| 01 | One |
| 02 | Two |
| 03 | Three |
| 04 | Four |

General Tube Outside Diameter

| | |
|---|------------------------------|
| B | 5 mm - 8 mm (0.2" - 0.33") |
| C | 8 mm - 11 mm (0.33" - 0.43") |
| D | 11 mm - 15 mm (0.43" - 0.6") |
| E | 15 mm - 20 mm (0.6" - 0.8") |

¹ 1-6 ribbons may be placed in each protective tube CommScope recommends 6 ribbon units (72 fibers) per tube. Protective tubing length = 5 meters

² The number of protective tubes per central tube is calculated as follows:
Divide the number of fibers per central tube (typically between 72 and 216) by the number of fibers (12, 24, 36, 48, 72) to be spliced in each splice tray.

Example: If the central tube has 144 fibers with 36 fibers per splice tray, then the breakout base would require four protective tubes.

For installation instructions, refer to user manual ADCP-93-305.

Please contact CommScope Technical Assistance Center.

AC Outlet Kits

The AC outlet kit includes an outlet box and hardware to attach to the frame.

Ordering Information

| Description | Part Number |
|--|-------------|
| Dual outlet; mounts in base of NG4access frame | ACOK-5 |

NG4access ODF Platform

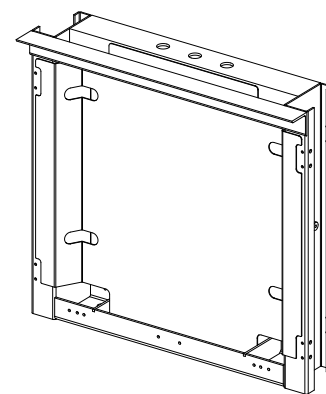
Optical Distribution Frame (ODF) Platform

Frame Extender

The frame extender is used to extend the height of a 7-foot frame to the appropriate super structure height so that it can be secured overhead. NG4access chassis are designed to be mounted up to 7 feet. Frame extenders do not extend the chassis mounting capacity.

Ordering Information

| Description | Part Number |
|-----------------------------|------------------|
| Frame Extender 610 mm (24") | NG4-ACCFR1EXT-24 |
| Frame Extender 1.37 m (54") | NG4-ACCFR1EXT-54 |



End Guard

The end guard provides protection for the fibers entering and exiting frames at the ends of a lineup.

Ordering Information

| Description | Dimensions (H x W x D) | Part Number |
|-------------------------------------|---|--------------|
| End guard mounts on NG4access frame | 2.14 m x 64 mm x 610 mm (7' x 2.5" x 24") | NG4-ACCEGDB1 |

Frame Installation Kits

Frame installation kits may be used on network frames and are seismic zone 4 rated. Kits include all necessary hardware.

Ordering Information

| Description | | Part Number |
|-----------------------------|------------------|-------------|
| Frame installation kits for | Computer floor | FDF-ACC146 |
| | Overhead support | RINST-TOP7 |
| | Concrete floor | RINST-FLR |

Frame Transition Kits

Frame transition kits are available to cap and grow from existing legacy ODF line-ups to new NG4access line-ups. Transition kits allow for cross-connect jumpers to route between old and new frames.

Ordering Information

| Description | Transition Width | Part Number |
|-------------------------|------------------|-----------------|
| NG4access to NG3 frames | 0" | NG4-ACCNG3TRANS |
| NG4access to NGF frames | 2.5" | NG4-ACCNGFTRANS |
| NG4access to 8" frames | 12" | NG4-ACC8TRANS |

NG4access

Optical Distribution Frame (ODF) Platform

Isolation Pad

A template for frame installation providing isolation between the frame, fiber optic terminal storage bay, end guard and the floor.

Ordering Information

| Description | | Part Number |
|-------------------|---|------------------|
| Isolation pad for | NG4access frame | NG4-ACCISOPFRM |
| | Fiber optic terminal jumper storage panel | NG4-ACCISOPFOTSP |
| | NG4access end guard | NG3-ACCISOPEGD |

Replacement Access Tray

Ordering Information

| Description | Part Number |
|---|-----------------|
| Single access tray; (empty) for replacement in NG4access chassis. This kit can replace access trays on either the left or right side of the chassis. | NG4-ACCTRAYKIT1 |



Replacement Access Tray

Replacement Access Tray Door Kit

Ordering Information

| Description | Part Number |
|--|-----------------|
| Kit of 5 access tray doors, springs and laser eye protection label | NG4-ACCTRAYKIT5 |

Rear Chassis Door Kits

Flip down door kits are available for rear chassis installation and include the mounting bracket and designation cards.

Ordering Information

| Description | Part Number |
|---|------------------|
| Rear door, bracket and designation labels | NG4-ACCRDOORKIT1 |



Rear Chassis Door Kit and Designation Cards

Designation Cards

Designation cards for universal chassis.

Ordering Information

| Description | Part Number |
|---|-----------------|
| Kit of 24 cards; for front or rear door | NG4-ACCCARDKIT1 |

NG4access ODF Platform

Optical Distribution Frame (ODF) Platform

1.2 mm Cable Patch Cords

CommScope's revolutionary 1.2 mm small form factor patch cords are available with LC or SC connectors and occupies half the space of traditional 1.6 mm patch cords and a third of the space of traditional 2.0 mm patch cords. In environments where space constraints and cable routing prove most challenging, the 1.2 mm patch cords offer the necessary flexibility and quality to realize significant labor and cost savings for service providers.

Features

- SC/UPC, SC/APC, LC/UPC and LC/APC connector versions
- Reduced Bend Radius fiber OFNP cable
- Compatible with industry standard fiber cable and SC and LC connectors
- Same tensile strength and crush rating as 1.6 mm, 2.0 mm or 3 mm patch cords



1.2 mm SC Patch Cord



1.2 mm LC Patch Cord

Recommended Patch Cord Length (in meters)

| | Number of Adjacent Frames | | | | | | | |
|----------------|---------------------------|---|-----|-----|-----|------|-------|-------|
| | 1 | 2 | 3-4 | 5-6 | 7-8 | 9-10 | 11-12 | 13-14 |
| Without FOTSPs | 6 | 7 | 8 | 9 | 11 | 13 | 14 | 15 |
| With FOTSPs | 6 | 7 | 9 | 11 | 13 | 15 | 16 | 18 |

Ordering Information

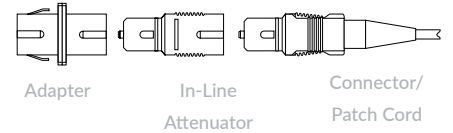
| Description | | Description | Part Number** |
|---|--------------|-----------------|---------------|
| Singlemode, ONFP jacket; 1.2 mm fiber jumper | SC - SC | SC/UPC - SC/UPC | FPCA-77YPxxxM |
| | | SC/UPC - SC/APC | FPCA-7EYPxxxM |
| | | SC/APC - SC/APC | FPCA-EEYPxxxM |
| | LC - LC | LC/UPC - LC/UPC | FPCA-KKYPxxxM |
| | | LC/UPC - LC/APC | FPCA-KMYPxxxM |
| | | LC/APC - LC/APC | FPCA-MMYPxxxM |
| | Hybrid SC-LC | SC/UPC - LC/UPC | FPCA-7KYPxxxM |
| | | SC/UPC - LC/APC | FPCA-7MYPxxxM |
| | | SC/APC - LC/UPC | FPCA-EKYPxxxM |
| | | SC/APC - LC/APC | FPCA-EMYPxxxM |

** xxx = length in meters: 006 = 6 m, 007 = 7 m, 010 = 10 m, 015 = 15 m

Contact CommScope's Technical Assistance Center for availability of custom lengths.

Attenuators

A fiber optic attenuator is an optical device that induces a calibrated fixed loss between two connectors, which dampens, or attenuates the fiber optic signal. Attenuation is required if an optical signal has too much power, exceeding the operating range of the equipment, which causes saturation at the receiver and induces system errors or failures. CommScope's full line of attenuators are manufactured to meet the demands of your network. In-line attenuators are installed between an adapter and a connector; they are fused attenuators, providing exceptional optical performance.



| Attenuation | Tolerance |
|-------------|-----------|
| ≤5 dB | ±0.75 dB |
| >5 dB | ±10% |

Ordering Information

| Description | | Part Number* |
|------------------|-------|--------------|
| LC ultra polish | 05 dB | FOA-INLC05 |
| | 10 dB | FOA-INLC010 |
| | 15 dB | FOA-INLC015 |
| | 20 dB | FOA-INLC020 |
| SC ultra polish | 05 dB | FOA-INSC05 |
| | 10 dB | FOA-INSC10 |
| | 15 dB | FOA-INSC15 |
| | 20 dB | FOA-INSC20 |
| SC angled polish | 05 dB | FOA-INASC05 |
| | 10 dB | FOA-INASC10 |
| | 15 dB | FOA-INASC15 |
| | 20 dB | FOA-INASC20 |



In-Line SC Attenuator

* Other attenuation values and connector styles are available upon request. Please contact Technical Assistance Center.

NG4access ODF Platform

Optical Distribution Frame (ODF) Platform

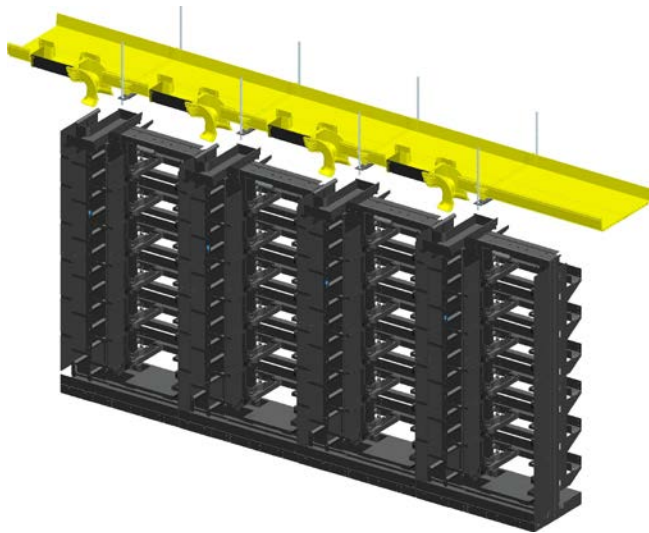
FiberGuide FlexExit

FiberGuide raceway systems offer the greatest breadth of optical raceway products in the industry. FiberGuide systems add greater flexibility and drive down installation time to ensure a smooth deployment. It is designed to protect and route fiber optic patch cords, multi-fiber cable assemblies and intrafacility fiber cable (IFC) to and from fiber splice enclosures, fiber distribution frames and fiber optic terminal devices.

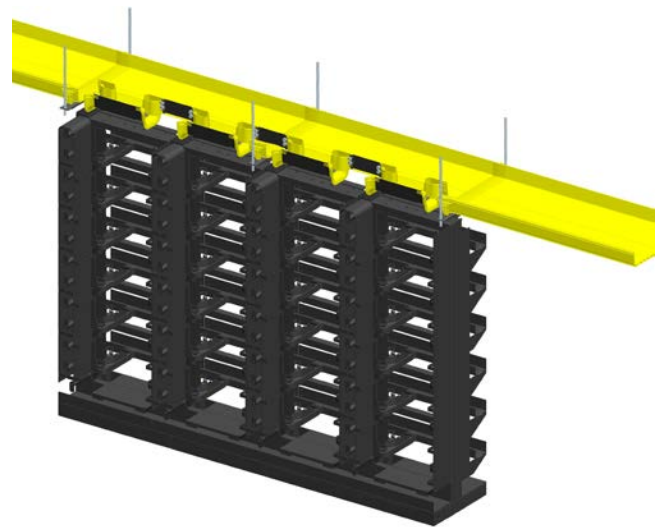
FiberGuide flex exit was designed to ensure a precise fiber drop from the raceway system into CommScope's NG4access optical distribution frame (ODF) or other high-density frame solutions. It easily installs on the sidewall of the existing raceway system, and promotes 4, 6 or 12 inch fiber drops. The FiberGuide flex exit easily adjusts vertically, side-to-side and forward for precise alignment with the ODF equipment.

Benefits

- Accommodates large fiber drops into high-density optical distributions frames
- Eliminates the need for custom engineering of raceway
- Accommodates large 12" and 24" raceway systems
- Increases flexibility of existing 12 or 24" raceway systems
- Provides optimal bend radius protection
- Durability built to provide long-lasting protection for your network



Rear Fiber Entry for Cross-Connect Applications



Dual Front Fiber Entry for Interconnect Applications



Flex Exit Kit

Includes molded flex exit, sliding expansion plate and misc. support and configuration hardware. Trumpet flare or 90° down elbows must be purchased separately (see below).



Cut-in Jig

The cut-in jig provides a protective guide to remove FiberGuide side wall to install the flex exit. The cut-in jig also provides a protection guide for preparing the FiberGuide raceway for cut-in depths applications.

| Description | Catalog Number* | |
|--|------------------|-------------------|
| Flex Exit Kit | FGS-FLEXEXIT-F/H | |
| Cut-in Jig | FGS-FLEXJIG-F/H | |
| Trumpet Flares (Any size trumpet flares can be attached to either exit side or both sides of the flex exit and does not require a snap fit junction kit.) | | |
| 4" trumpet flare (no junction required) | FGS-MTRM-A | |
| 6" trumpet flare (no junction required) | FGS-MTRM-B | |
| 12" trumpet flare (no junction required) | FGS-MTRM-H | |
| 90° Down Elbows and Snap Fit Junctions* (Any size 90° down elbow can be attached to either exit side or both sides of the flex exit and requires a snap fit junction kit to secure to the flex exit.) | | |
| | 90° Down Elbow | Snap Fit Junction |
| 4" 90° down elbow and junction | FGS-MD9E-A | FGS-MTRM-A |
| 6" 90° down elbow and junction | FGS-MD9E-B | FGS-MTRM-B |
| 12" 90° down elbow and junction | FGS-MD9E-H | FGS-MTRM-H |



www.commscope.com

Visit our website or contact your local CommScope representative for more information.

© 2017 CommScope, Inc. All rights reserved.

FiberGuide, NG3, NG4access, Rapid Fiber, Snap Fit and all trademarks identified by ® or ™ are registered trademarks or trademarks, respectively, of CommScope, Inc. This document is for planning purposes only and is not intended to modify or supplement any specifications or warranties relating to CommScope products or services.

CA-314120.5-AE (02/17)