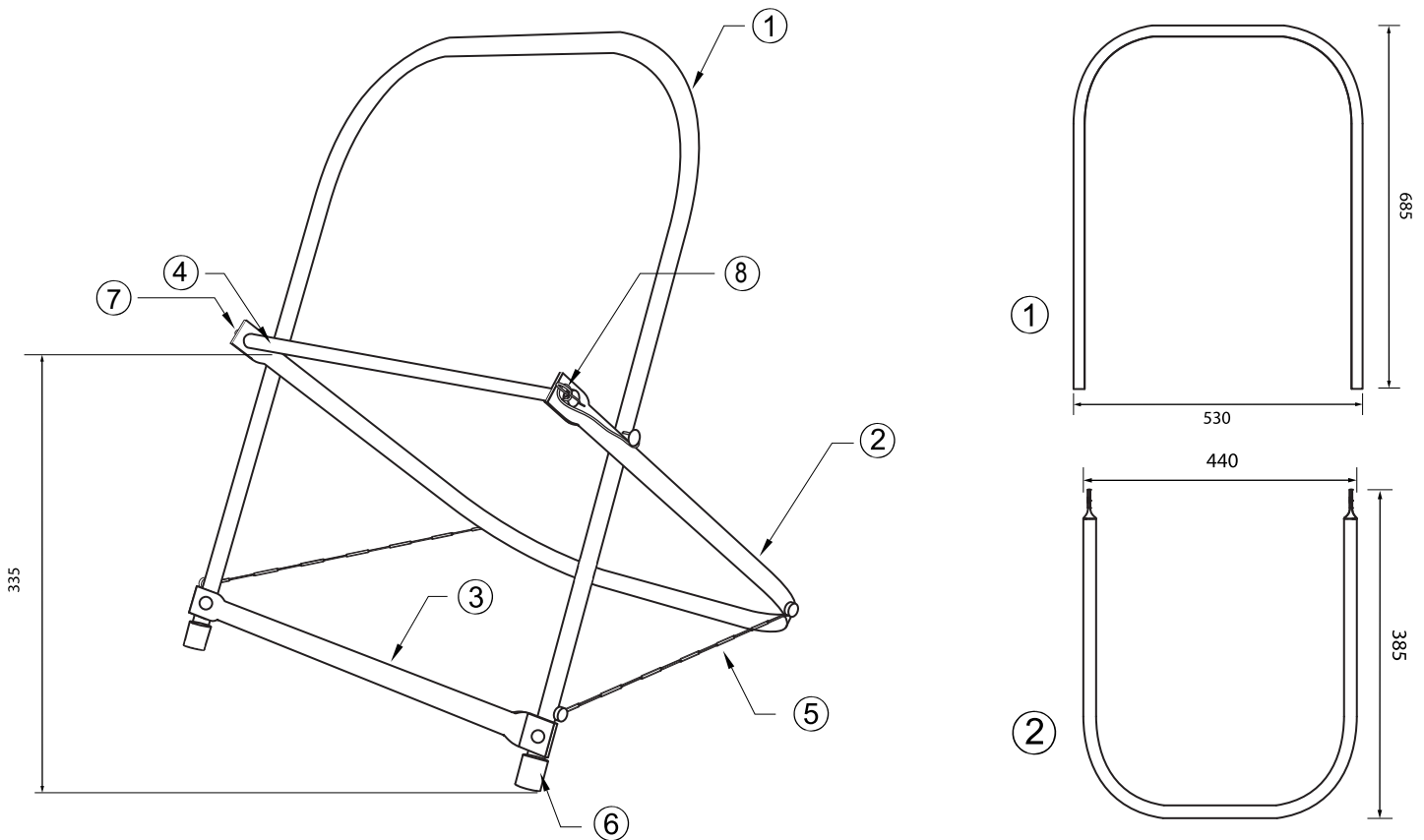


PRODUCT SPECIFICATIONS

Part Number: CBLCD-04708



MATERIAL SPECIFICATIONS

NO.	QTY	DESCRIPTION	MATERIAL	NOTES
1	1	FRONT FRAME	STEEL	Φ 22 x 1.5mm, COLOR: BLACK
2	1	REAR FRAME	STEEL	Φ 22 x 1.5mm, COLOR: BLACK
3	1	FRONT BRACE	STEEL	Φ 22 x 1.5mm, COLOR: BLACK
4	1	SPOOL BAR	STEEL	Φ 16 x 470mm, ZINC PLATED
5	2	CHAIN	STEEL	Φ 3 x 320mm, STAINLESS STEEL CHAIN
6	2	FOOT COVER	RUBBER	Φ 22 x 25mm, RUBBER
7	1	RETAINING PIN	STEEL	Φ 6 x 30 mm, SPRING PIN
8	1	DOWEL PIN	STEEL	Φ 3 x 60 mm, COTTER PIN

NOTE: TECHNICAL SHEETS ARE SUBJECT TO CHANGE WITHOUT NOTICE.

Rev.20170216.1

© 2017 VERICOM Global Solutions