

SPECIFICATION SHEET

MARATHON[®]

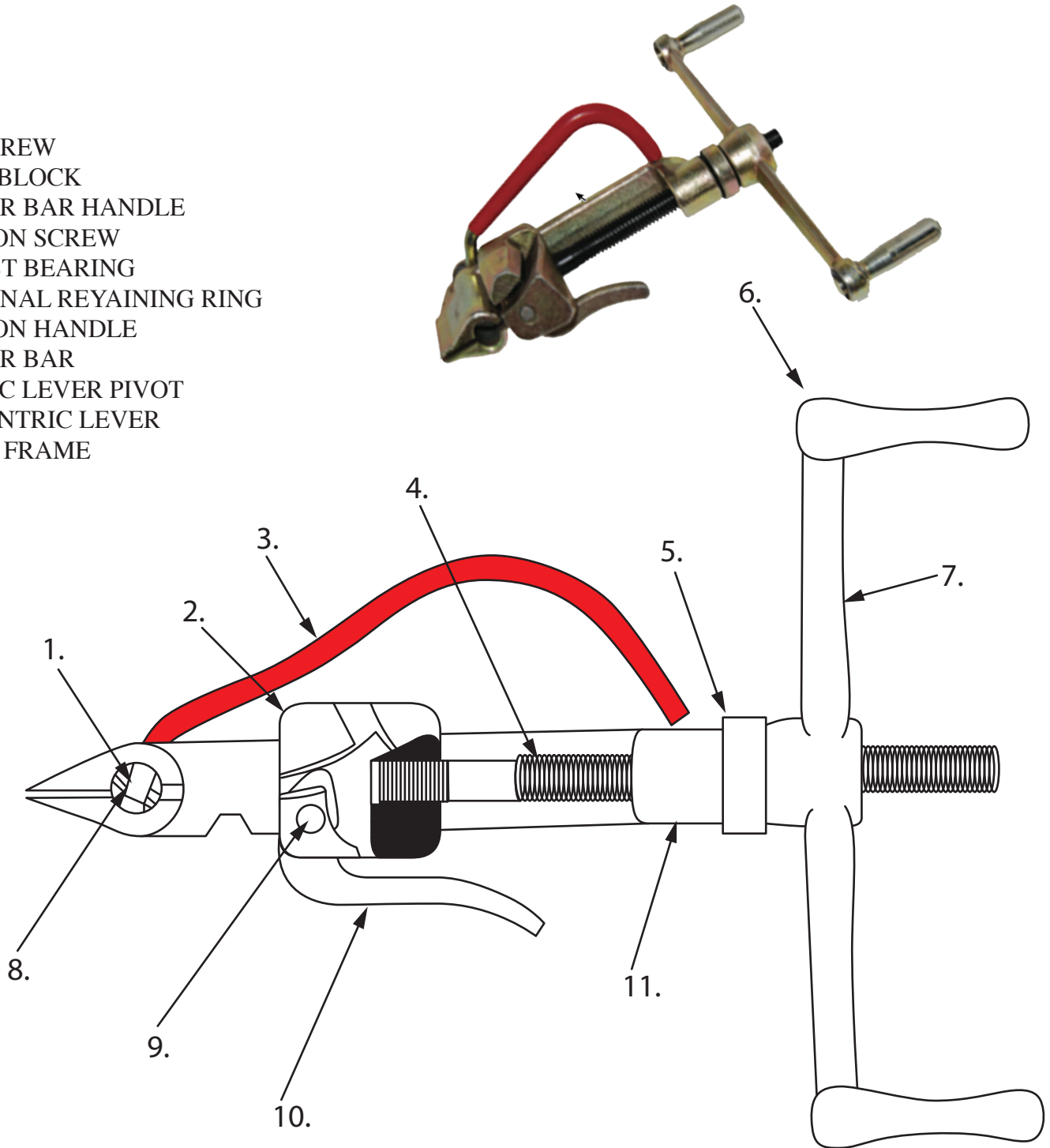
REF:

Banding Tool- Used for Banding up to 3/4" band.

PART NO.

MAR001

1. SET SCREW
2. SLIDE BLOCK
3. CUTTER BAR HANDLE
4. TENSION SCREW
5. THRUST BEARING
6. EXTERNAL REYAINING RING
7. TENSION HANDLE
8. CUTTER BAR
9. PIN,ECC LEVER PIVOT
10. ECCENTRIC LEVER
11. TOOL FRAME



888-644-6075
www.tvcinc.com

MARATHON[®]