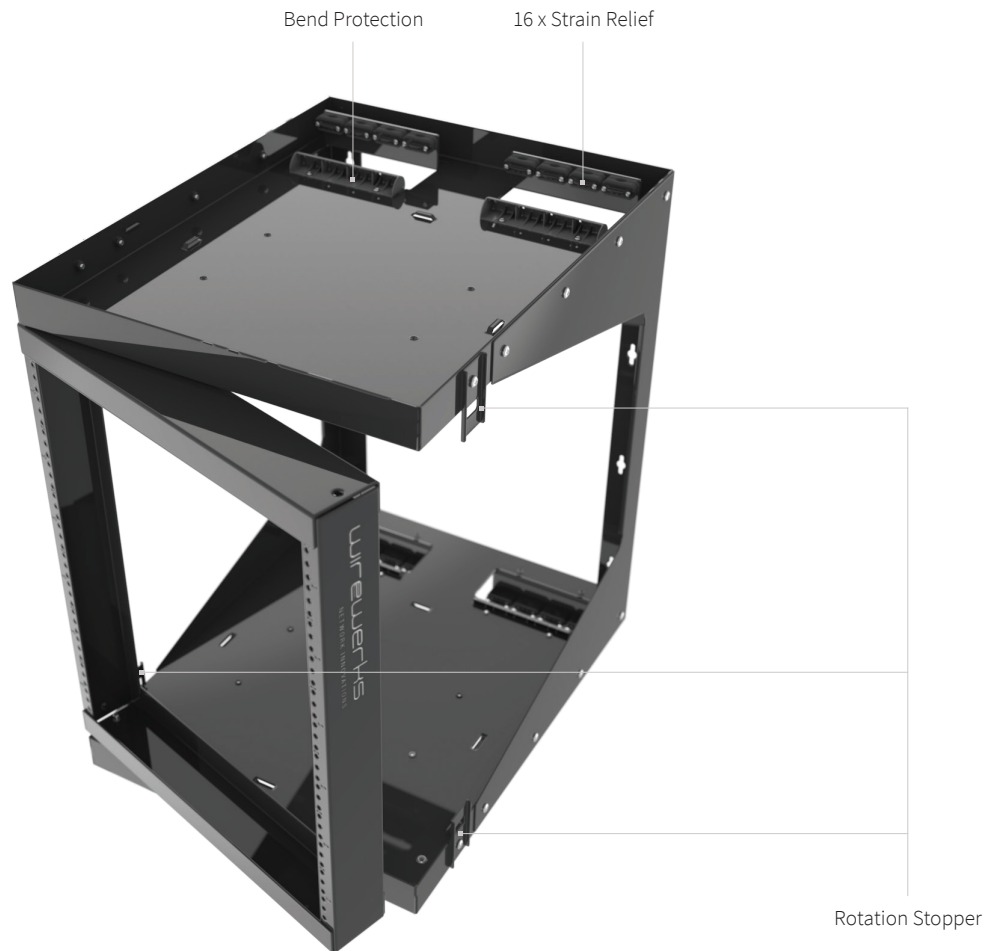


# WALL-MOUNT 12U SWING-OUT RACK

PDS-0252



## DESCRIPTION

**Wirewerks’ Wall-Mount 12U Swing-Out Rack (WW001525)** is a wall-mounted rack providing 12RU for 19" industry-standard 1U, 2U, or 4U patch panels and/or active equipment enclosures. The ‘off-the-floor’ wall-mount design is beneficial in any installation environment with limited floor space. The **WW001525’s** ‘swing-out mounting frame’ feature allows the frame to pivot out with either a left or right-hand swing, providing technician-friendly, easy access to the back panels of all installed devices and cabling.

The **WW001525's** 25.1" (638mm) overall depth accommodates the depth requirements of most patch panels and active equipment enclosures while also maintaining open space for cable management and routing at the rear of the rack. The **WW001525** is rated for a gross installed weight (including the rack, installed devices and cabling) of up to [42.35lb (19.21 kg) + 150 lbs (68.04 kg) =] 192.35lb (87.25kg). Robust design, quality materials and precision manufacturing ensure exceptional durability and reliability over an extended operational lifespan.

Wirewerks' **WW001525s** are commonly deployed in PoPs, base stations, and entrance rooms with fiber/copper networks serving:

- Premise/campus LANs
- FTTx networks for multi-dwelling-units (MDUs), multi-tenant commercial properties, or multi-user institutional facilities
- FTTA networks supporting 5G DAS and IBW applications

The **WW001525** is compatible with all industry-standard 19" rack-mount patch panels, routers/switches, power supplies and servers, including:

- Wirewerks' **NextSTEP™ Fiber Management System** patch panels
- Wirewerks' **NextSTEP™ ODF** (Optical Distribution Frame) modules
- Wirewerks' **LGXtra™ Fiber Management System** patch panels
- Wirewerks' **Keywerks™** patch panels

## FEATURES and BENEFITS

- Wall-mounted 'off-the-floor' rack is an effective space-saving alternative to floor-standing racks/cabinets in small rooms and spaces
- Accepts any 19" industry-standard rack-mount patch panel or active equipment enclosure
- TIA compliant 10-32 tapped rails with 19" mounting and rack unit indicators
- Selectable left or right-hand swing to adapt to variable site conditions
- Accepts panels/equipment with depths up to 12.90" (32.8cm) (measured from mounting ears to back panel)
- Integrated Wirewerks CableGrip™ primary cable attachment and strain-relief devices are included
- Integrated cable routing features, cable attachment points and cable bend point protection manage, secure and protect cables
- Top Panel provides protected space for service loop/slack storage with formed-in bridge lances for cable attachment
- Top Panel is factory-drilled for mounting of (optional) Wirewerks Open Spool take-up reel
- Heavy-duty 13-ga. and 16-ga. steel components provide strength and durability
- Tested to suggested load rating of 150 lbs (68.04kg)
- Finished in matte black powder paint
- Knockdown design ships flat for easy handling and storage, and reduced shipping costs
- Fast, easy assembly (typically in 12-minutes or less) in warehouse or on-site
- Ships complete with all assembly hardware and instructions; wood screws for wall-mount installation; screws for mounting (optional) Wirewerks Open Spool take-up reel
- Cable entry points in top and bottom of rack

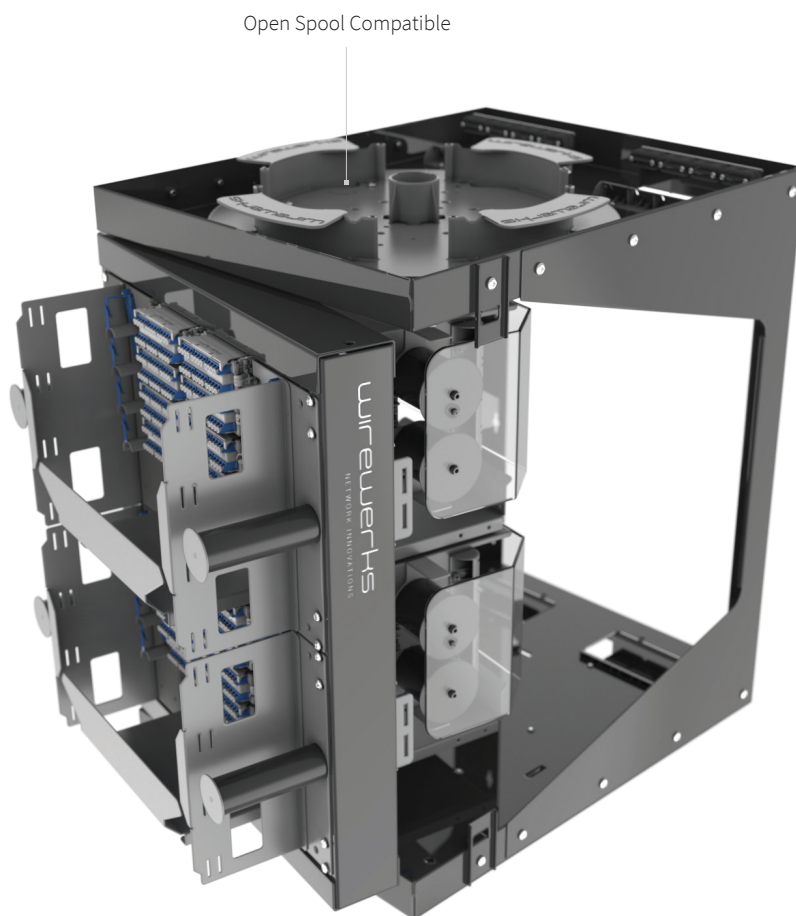
**RELATED  
WIREWERKS™  
PRODUCTS**

- Wirewerks' **NextSTEP™ Fiber Management System** patch panels and enclosures
- Wirewerks' **LGXtra™ Fiber Management System** patch panels and enclosures
- Wirewerks' **Keywerks™ Patch** patch panels and enclosures
- Wirewerks' **Open Spool** take-up reel

For additional information and assistance, please contact Customer Service

**WIREWERKS  
SUPPORT MATERIALS  
AND SERVICES**

- WW-001525 Installation Guide (#ISO106\_ART)
- Technical support at [techsupport@wirewerks.com](mailto:techsupport@wirewerks.com)
- Ordering and general assistance at [customerservice@wirewerks.com](mailto:customerservice@wirewerks.com)
- Dial 888.993.4237 (toll free) or 514.635.1103



ORDERING  
INFORMATION

Part Number	Description
WW-001525	Wirewerks' Swingout 12RU Wall Mounted Rack

## INCLUDED

Part Number	Included
WW-001525	<ul style="list-style-type: none"> <li>• Swivel Rack</li> <li>• 16 x Strain Relief for incoming and outgoing cables</li> <li>• 8 x Wood screws for wall mounting (No.10, 1.5", Phillips Pan Head)</li> <li>• 8 x Screws for mounting the NS Open Spool (Purchased Separately) Round Head Phillips Machine Screw M5 x 0.8mm - 18mm</li> </ul>

PACKAGING  
and SHIPPING

Description	Dimensions	Shipping Weight
Cardboard Box	28.5" x 22.5" x 12.5" (724mm x 572mm x 318mm)	49.6 lb (22.5 kg)

PHYSICAL  
SPECIFICATIONS

Parameter	Value
Product Dimensions	28.5" x 25.1" x 20.3" (724mm x 638mm x 516mm)
Product Weight	42.35 lb (19.21kg)
Materials (plastics, metals, etc.)	13 Gauge & 16 Gauge Cold Rolled Steel
Color & Finish	Black Dull Finish

MECHANICAL  
SPECIFICATIONS

Parameter	Value
Operating Temperature	-25° C (-13° F) ~ 40° C (104° F)
Storage Temperature	-25° C (-13° F) ~ 55° C (131° F)