

LightLink™ LANSystem™ 1RU Fiber Termination Patch/Splice Panel

The AFL Telecommunications' 1RU Fiber Termination Patch/Splice Panel is designed for use as a rack mount interconnect point where termination and connectivity of up to 36 fibers is desired. The panel design is based on a 1 rack unit height and is provisioned with three LGX 118 compatible mounting positions that can accommodate adapter plates, XFM optical cassettes, passive optical modules or any combination therein. Standard panels are available empty for complete field configuration, half-loaded with adapter plates for field termination and cable assembly installation, or stubbed with a factory-installed cable assembly of a user specified length.

Features

- Fits comfortably into new and existing interconnect, cross-connect, customer premise, and co-location environments
- Most common connector styles and types available
- Compatible with industry standard equipment frames
- Modular design
- Slide-out tray with relief cut-outs for simplified connector access
- Optional splice tray kit for on site conversion to patch and splice panel
- Optional front door key lock for heightened protection of internal components

Specifications

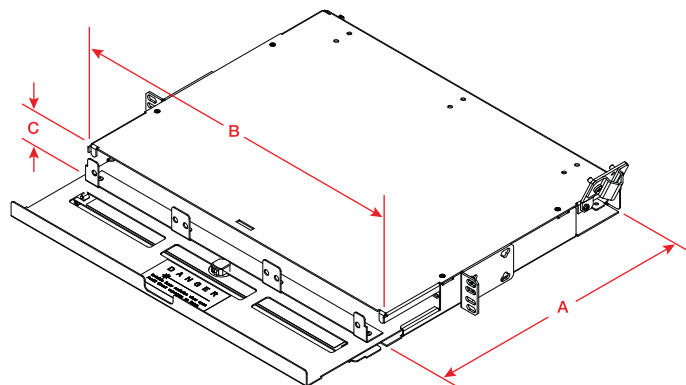
- Aluminum Construction per ASTM B209
- Durable textured powder coat finish available in black or white
- Universal 19/23" EIA/TIA rack compatibility
- Standard Density: Up to 18 Fiber, High Density: Up to 36 Fiber
- LGX 118 Compatible
- Standard cable stub location is right rear exiting upward

Applications

- Telecommunications closets
- Data Centers
- Customer Premise
- LAN / WAN Networks
- Central Offices / Headends
- Hubs / Cabinets / Remote Terminals
- FTTH / FTTB Networks

Dimensions

DEPTH (A) (inches)	WIDTH (B) (inches)	HEIGHT (C) (inches)	RACK UNITS	CAPACITY	UNLOADED WEIGHT
13.51	17.00	1.75	1	18 / 36	4 lbs.



LGX is a registered trademark of Furukawa Electric North America, Inc.

LightLink™ LANSystem™ 1RU Fiber Termination Patch/Splice Panel

Configuration Part Numbers

PART NO.	CONFIGURATION
1 RU PATCH PANELS - 12 FIBERS	
FM001038	CON012P – EMPTY
FM001344	CON012P w/ 12 PSC adapters (2 Six Packs) 118 LGX (Beige)
FM001346	CON012P w/ 12 UST adapters (2 Six Packs) 118 LGX
FM001347	CON012P w/ 12 PST adapters (2 Six Packs) 118 LGX
FM001353	CON012P w/ 6 UDL (dup) adapters (2 Three Packs) 118 LGX (Blue)
FM001354	CON012P w/ 6 PDL (dup) adapters (2 Three Packs) 118 LGX (Beige)
FM001352	CON012P w/ 12 ASC adapters (2 Six Packs) 118 LGX (Green)
FM001349	CON012P w/ 12 UFC adapters (2 Six Packs) 118 LGX
FM001351	CON012P w/ 12 USC (ZR) adapters (2 Six Packs) 118 LGX (Blue)
FM001350	CON012P w/ 12 AFC adapters (2 Six Packs) 118 LGX
1 RU HIGH DENSITY PATCH PANELS - 24 FIBERS	
FM001355	CON024HD w/ 24 UST adapters (2 Twelve Packs) 118 LGX 24 Fibers
FM001356	CON024HD w/ 24 PST adapters (2 Twelve Packs) 118 LGX 24 Fibers
FM001348	CON024HD w/ 12 PDL (dup) adapters (2 Six Packs) 118 LGX 24 Fibers
FM001357	CON024HD w/ 12 USF (dup) adapters (2 Six Packs) 118 LGX 24 Fibers
FM001358	CON024HD w/ 12 ASF (dup) adapters (2 Six Packs) 118 LGX 24 Fibers
1U PATCH AND SPLICE PANELS - 12 FIBERS	
FM001328	CNS012P – EMPTY
FM001323	CNS012P w/ 12 PSC adapters (2 Six Packs) 118 LGX, Splice Tray
FM001329	CNS012P w/ 12 UST adapters (2 Six Packs) 118 LGX, Splice Tray
FM001325	CNS012P w/ 12 PST adapters (2 Six Packs) 118 LGX, Splice Tray
FM001334	CNS012P w/ 6 UDL (dup) adapters (2 Three Packs) 118 LGX, Splice Tray (Blue)
FM001335	CNS012P w/ 6 PDL (dup) adapters (2 Three Packs) 118 LGX, Splice Tray (Beige)
FM001333	CNS012P w/ 12 ASC adapters (2 Six Packs) 118 LGX, Splice Tray
FM001330	CNS012P w/ 12 UFC adapters (2 Six Packs) 118 LGX, Splice Tray
FM001332	CNS012P w/ 12 USC (ZR) adapters (2 Six Packs) 118 LGX, Splice Tray
FM001331	CNS012P w/ AFC adapters (2 Six Packs) 118 LGX, Splice Tray
1U HIGH DENSITY PATCH AND SPLICE PANELS - 24 FIBERS	
FM001336	CNS024HD w/ 24 UST adapters (2 Twelve Packs) 118 LGX, Splice Tray
FM001337	CNS024HD w/ 24 PST adapters (2 Twelve Packs) 118 LGX, Splice Tray
FM001338	CNS024HD w/ 12 USF (dup) adapters (2 Six Packs) 118 LGX, Splice Tray
FM001339	CNS024HD w/ 12 ASF (dup) adapters (2 Six Packs) 118 LGX, Splice Tray

Accessories

PART NO.	DESCRIPTION
FM001313	Splice Tray Kit: Single Fusion, 1RU Patch Panels, Standard Density (1 splice tray)
FM001314	Splice Tray Kit: Single Fusion, 1RU Patch Panels, High Density (2 splice trays)
FM001318	Kit, Lock, for CON / CNS Panels

Connector/Adapter Key

TYPE	DESCRIPTION
ASC	Angle Polish SC (ZR) sleeve-SM
ASF	Angle Polish SC Duplex (ZR) sleeve-SM
PSC	Physical Polish SC (PB) sleeve-MM
PSF	Physical Polish SC Duplex (PB) sleeve-MM
USC (PB)	Ultra Polish SC with (PB) sleeve-SM
USC (ZR)	Ultra Polish SC with (ZR) sleeve-SM
USF	Ultra Polish SC Duplex (ZR) sleeve-SM
PST	Physical Polish ST (PB) sleeve-MM
UST	Ultra Polish ST (ZR) sleeve-SM
AFC	Angle Polish FC (ZR) sleeve-SM
PFC	Physical Polish FC (PB) sleeve-MM
UFC	Ultra Polish FC (ZR) sleeve-SM
ADL	Angle Polish LC Duplex (ZR) sleeve-SM
PDL	Physical Polish LC Duplex (PB) sleeve-MM
PLC	Physical Polish LC (PB) sleeve-MM
UDL (ZR)	Ultra Polish LC Duplex (ZR) sleeve-SM
UDL (PB)	Ultra Polish LC Duplex (PB) sleeve-SM
ULC	Ultra Polish LC (ZR) sleeve-SM

Ordering Information

Select the seven digit part number of the panel you need, specify black or C.O. white, and choose the loading character desired. When ordering stubbed (S), enter the cable stub length required in meters. Standard stub is Circular Premise Cable (CPC).

Part Number	Color	Loading Character	Cable Stub Length (M)
FM001344	B	S	0010
	I W = C.O. White B = Black	I E = Empty H = Half-loaded with adapters L = Loaded with adapters and pigtails (N/A on Patch) S = Preterminated with tight buffered CPC cable stub (Riser) (N/A on Patch & Splice) R = Preterminated with an OSP loose tube cable stub (N/A on Patch & Splice)	I 0002 = 2 meters 0004 = 4 meters etc.

Example: Order number for a panel Black in color, loaded with 12 PSC adapters (2 six packs), connectors and a cable stub 10 meters in length.