

# OptiSheath™ Classic Sealed Terminal

An Evolant® Solutions Product

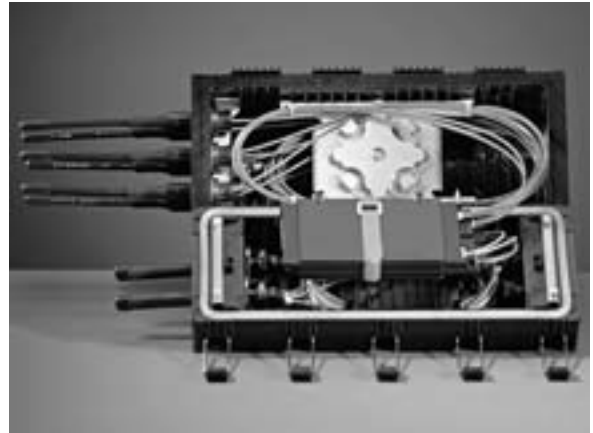
Corning  
Cable Systems

## Description

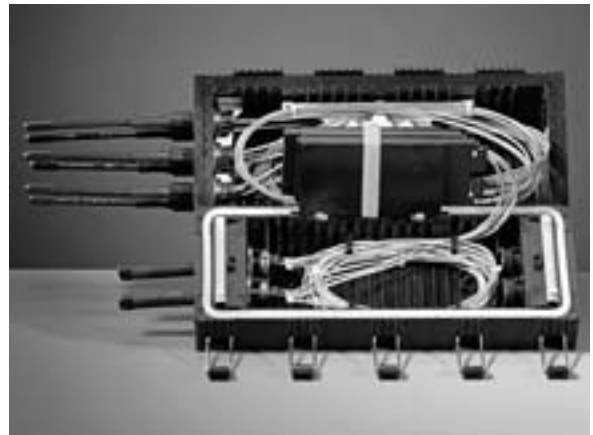
The OptiSheath™ Classic Sealed Terminal is designed for the aerial, pole, pedestal or buried fiber access network. This innovative terminal provides sealed environmental protection and quick incremental connection of subscribers' drop cable.

## Features / Benefits

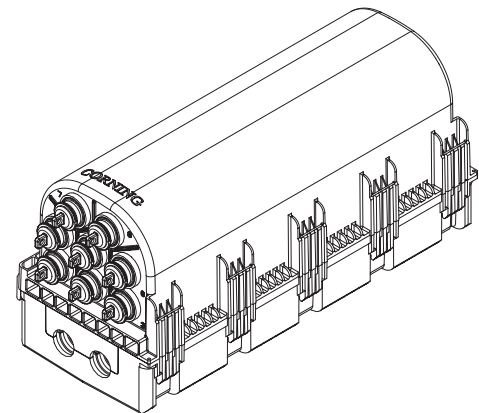
- Provides a low-cost sealed terminal optimized for optical access architectures
- Designed to install easily on strand, wall, pole, pedestal or below-grade in a handhole or manhole
- Terminal provides capability to serve up to 16 subscribers and has four distribution/branch cable entries
- Drop installation procedure provides sealing and strain-relief in one step through use of crimp tool (Part #: 3208004-01) and heat gun (Part #: 3201034-01)
- Individual drop ports provide a safe and easy way to add incremental subscribers without disruption to previously installed drops
- Designed and third-party tested to meet the requirements of Telcordia GR-771-CORE, Issue 1
- Terminal fiber management capabilities include:
  - Up to 6 feet of slack storage
  - Maximum fiber cable capacity is 72 loose tube and 216 ribbon
  - Accommodates up to three splice trays (36 single-fibers)
- Mass ribbon splicing available with ribbon tray
  - UCAO-ST-03 ordered separately
  - Maximum 144 splices (three trays)
- Corning Cable Systems also offers a complete line of OptiSheath Advantage Terminals, featuring preconnectorized drop cables.



OptiSheath Classic Sealed Terminal  
(splice tray down) | Photo SHD177



OptiSheath Classic Sealed Terminal  
(splice tray up) | Photo SHD178



OptiSheath Classic Sealed Terminal  
(closed) | Drawing ZA-2720

## Specifications and Ordering Information

Dimensions (L x H x W) mm (in)	Weight kg (lb)
381 x 196 x 158.75 (15 x 7.72 x 6.25)	2.22 (6)

UCA  - 006CP -  -

1
2
3

### 1 Select number of adapters.

- 4 = Up to eight drop port adapters (left end)
  - 5 = More than eight drop port adapters (both ends)
- Note: Ports one to eight are on left end and nine to 16 are on right end.*

### 2 Select mounting bracket.

- W = Includes wall-mount bracket
- P = Includes pole-mount bracket

### 3 Select number of drop-port adapters.

- 2B = Includes two drop-port adapters and two cable installation kits
- 4B = Includes four drop-port adapters and four cable installation kits
- 6B = Includes six drop-port adapters and six cable installation kits
- 8B = Includes eight drop-port adapters and eight cable installation kits
- 10B = Includes 10 drop-port adapters and 10 cable installation kits
- 12B = Includes 12 drop-port adapters and 12 cable installation kits
- 14B = Includes 14 drop-port adapters and 14 cable installation kits
- 16B = Includes 16 drop-port adapters and 16 cable installation kits

*Note: Third digit required for >10 drop ports*

## Shipping Package Specifications

Dimensions (H x D x L) mm (in)	596.90 x 444.6 x 495.3 (23.5 x 17.5 x 19.5)
Weight kg (lb)	12.21(33) (four units)
Minimum Order Quantity	4 (four units per box)

*Note: Standard unit includes terminal, specified number of drop port adapters and port installation kits, one single-fiber splice tray, specified mounting bracket, two cable strain-relief brackets and installation instructions.*

# OptiSheath™ Classic Sealed Terminal

An Evolant® Solutions Product

Corning  
Cable Systems

## Accessories

Part Number	Description	Dimensions (L x H x W) mm (in)
UCAO-ST-02	Splice Tray with heat-shrink protection slots (12 splices)	187 x 92 x 8 (7.4 x 3.6 x 0.33)
UCAO-ST-03	Splice Tray for four mass fusion splices (48 splices)	187 x 92 x 8 (7.4 x 3.6 x 0.33)
UCAO-BK1	Wall Mount/Handhole Bracket	
UCA-KT-POLE	Pole-Mount Bracket	
UCN8-KT-BND	Pole Strap	
UCN-KT-IT-TT	Band-It Tool for pole strap	
SCA-KT-VEL-12	12-in Velcro® Straps (20/pack)	
UCA4-KT-PLUG	Dummy Plugs for cable entry ports (5/pack)	
UCA4-KT-EXP	Express Cable Strain-Relief Hardware (10/pack)	
UCA-KT-AHD	Aerial Hanging Bracket	
UCA-KT-FV-OP	Flash Test Valve Adapter for adapter port (5/pack)	
UCAO-TP	UCA Sealing Tape (10/pack)	
UCA4-KT-SCREW	Metal Screw for wedge and endcap (25/pack)	
UCN-GND-S20	Small Bonding Clamp (alligator) (20/pack)	
UCN-GNDCBL-20	6-Gauge 8-in Ground Strap (20/pack)	
TKT-OPT-BG	Crimp Tool and Heat Gun Tool Kit	
3201034-01	Heat Gun	
3208004-01	Crimp Tool	
KT-OPT-SHTH-FD	OptiFit® Cable Assembly Extension Kit for drop cable additions	

Contact Customer Service for pricing and availability.