



Opti Max™ 11xx Series High Output Node

OM1111 1GHz Single Output Node



Generate New Revenue

- High output for last mile and fiber deep applications
- Support for 42/54 MHz , 65/85 MHz , and 85/105 MHz bandwidth splits
- 1 GHz technology

Scalable Options

- Upgrade kit for existing ARRIS OM1000 nodes to expand bandwidth and support CWDM multi wavelength solutions
- Convert legacy Philips line extender amplifiers to a node

Protect Investment

- Philips 9-LH 2 port housing base
- Supports 1310/1550nm DFB, CWDM and CORWave™ multi wavelength downstream technologies
- Optional 1310 nm and 1550 nm DFB and 8 CWDM analog upstream transmitters

Additional Features

- Direct AC powering
- Modular transmitters for easy multi wavelength deployment
- Factory included surge protection
- Accepts legacy PAD's and EQs
- Dedicated fiber management tray

To help cable operators who look for new subscriber revenue and higher average revenue per subscriber without major CAPEX, ARRIS offers a suite of products and solutions that help them seamlessly and easily stay in line with future goals, add new services and strongly position against the competition.

Generate New Revenue Cost-Effectively

The ARRIS OM1111 1 GHz high output node is part of the ARRIS Opti Max node platform for optical to RF (RF to optical in the upstream) signal conversion.

For cable operators looking to supply high bandwidth capacity and multi wavelength capability without segmentation to small service groups, the OM1111 with high output capability is a cost effective solution that supplies high value services to small/medium business customers, MDUs, and areas with a small subscriber count.

1GHz bandwidth will enable cable operators to increase downstream capacity for additional service offerings such as HDTV, Video on Demand (VOD), VoIP and high speed data / internet. Return bandwidth options beyond 42MHz are available for additional revenue generating service offerings.

Protect Investment in the Network With Scalable Options

OM1111 with the 9-LH 2port housing base provides a backwards compatible solution supporting a wide installed base of Phillips, C-COR, and ARRIS line extender and node housings. Kits are available to upgrade existing OM1000s to 1 GHz bandwidth. Legacy amplifier cascades can be reduced for fiber deeper applications by converting Flex Max 320/321 and MMLE line extender amplifiers to nodes. The kit allows operators to expand capacity at an estimated 30% labor savings over complete node replacement solutions.

The OM1111 optional CWDM transmitters support ARRIS multi wavelength solutions for maximization of the available optical spectrum in fiber scarce architectures.

Product Flyer

Enhanced Fiber Management

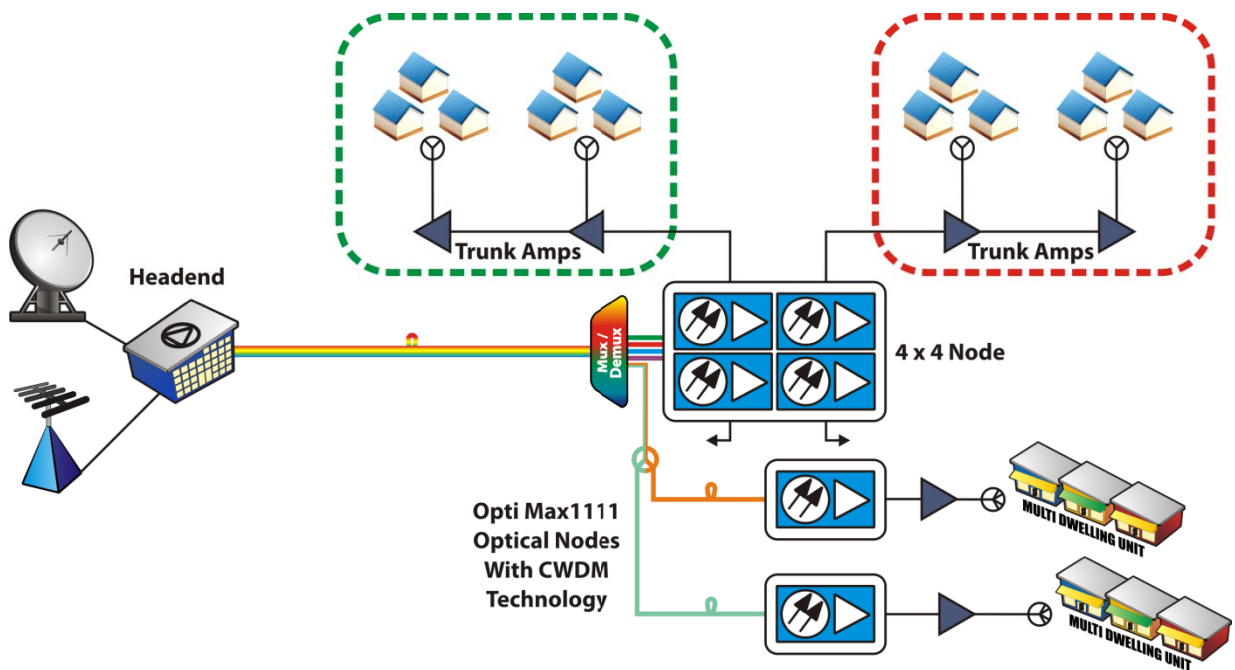
The OM1111 housing lid has an extended depth that allows management of two separate fiber service cable entries. The fiber tray has two tiers allowing for separate management of fiber entry service cables in the lower level and optical bulkheads and ruggedized optical passive devices in the upper level. This is a clean and workable fiber management solution in a highly compact design.

Options

- High output hybrids
- Optical AGC
- 1310 nm and 1550 nm DFB upstream transmitter wavelengths
- 8 CWDM analog upstream transmitters: 1471-1611 nm
- 42/54, 65/85, 85/105 MHz bandsplits
- Plug in ingress filter
- 45-90V remote or 110/220V local AC powering

Applications

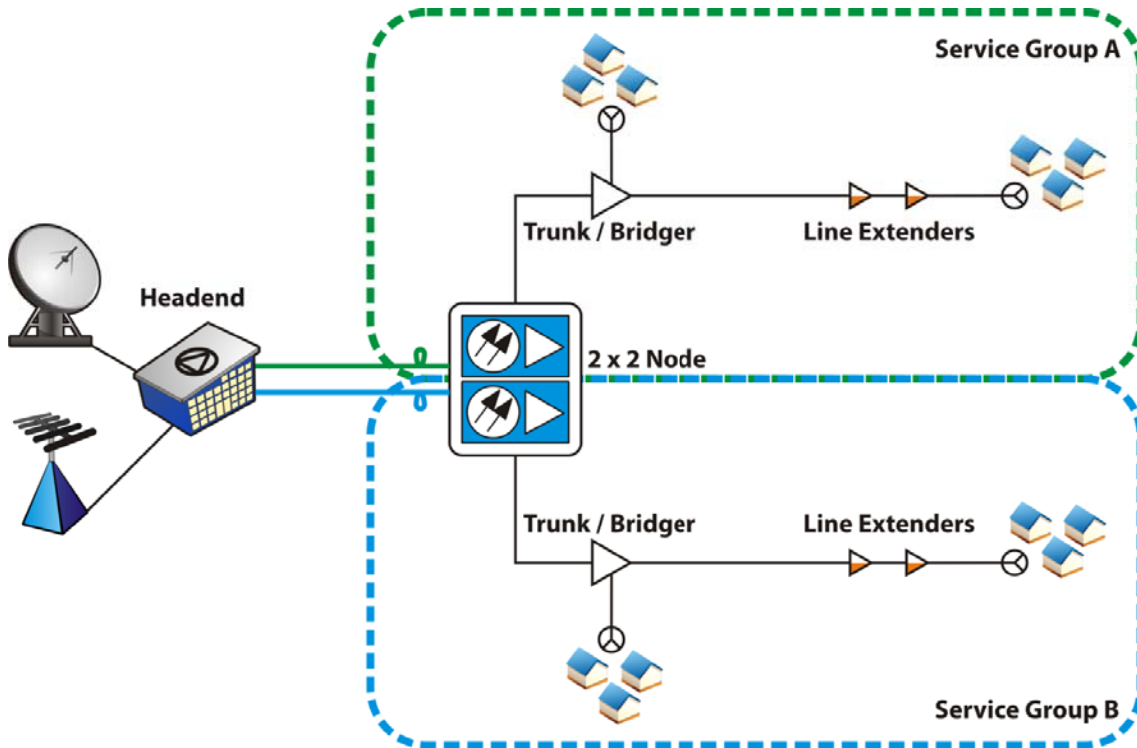
For Multiple Dwelling Units – cost effective support of small service groups



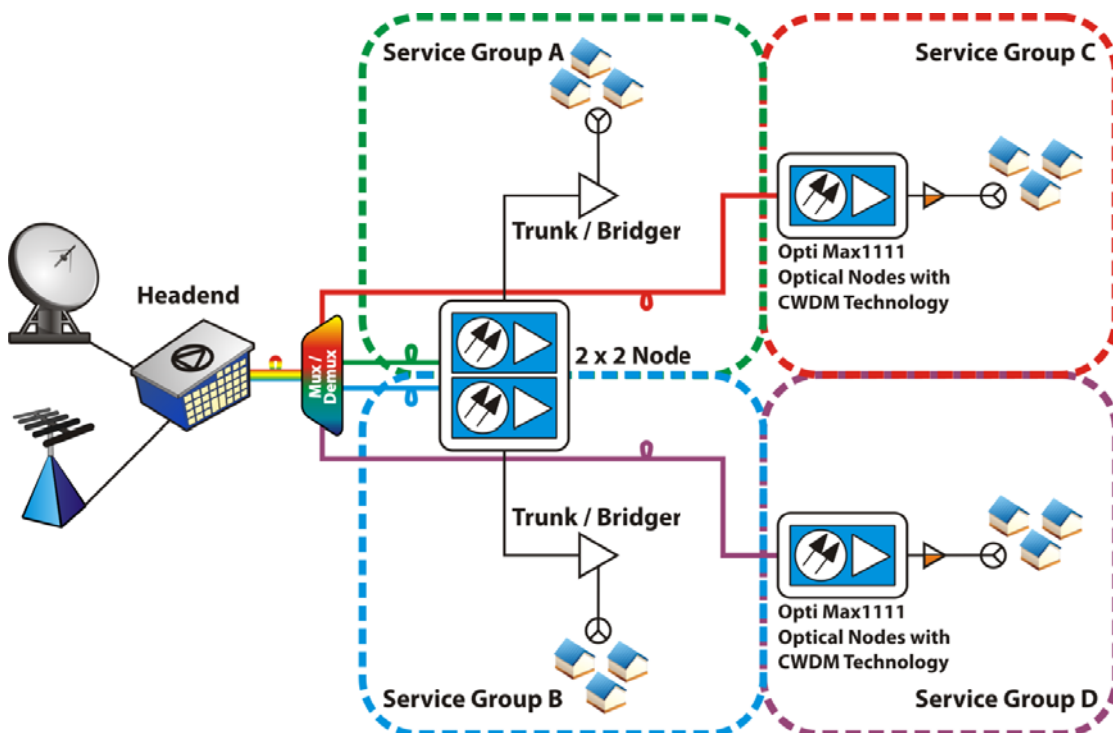
Applications

Reduce Amplifier Cascades and Drive Fiber Deeper into the Network

Existing Network with Line Extender Amplifiers



Addition of OM1111 Reduces Amplifier Cascades, Drives Fiber Deeper



OM1111 1GHz Single Output Node

www.arrisi.com

Find more information about the Opti Max 1111 1 GHz Single Output Node at

http://arrisi.com/product_catalog/broadband_access.asp

Opti Max 1111 1 GHz Single Output Digitally Segmentable Node Technical Specifications

Customer Care

Contact Customer Care for product information and sales

United States: 866-36-ARRIS

International: +1-678-473-5656

The capabilities, system requirements and/or compatibility with third-party products described herein are subject to change without notice. ARRIS, the ARRIS logo, Auspice®, C3™, C4®, C4c™, Cadant®, C-COR®, CHP Max5000®, ConvergeMedia™, Cornerstone®, CORWave™, CXM™, D5®, Digicon®, ENCORE®, Flex Max®, HEMi®, Keystone™, MONARCH®, MOXI®, n5®, nABLE®, nVision®, OpsLogic®, OpsLogic® Service Visibility Portal™, PLEXIS®, PowerSense™, QUARTET®, Regal®, ServAssure™, Service Visibility Portal™, TeleWire Supply®, TLX®, Touchstone®, VIPr™, VSM™, and WorkAssure™ are all trademarks of ARRIS Group, Inc. Other trademarks and trade names may be used in this document to refer to either the entities claiming the marks and the names of their products. ARRIS disclaims proprietary interest in the marks and names of others. © Copyright 2011 ARRIS Group, Inc. All rights reserved. Reproduction in any manner whatsoever without the express written permission of ARRIS Group, Inc. is strictly forbidden. For more information, contact ARRIS.



www.arrisi.com